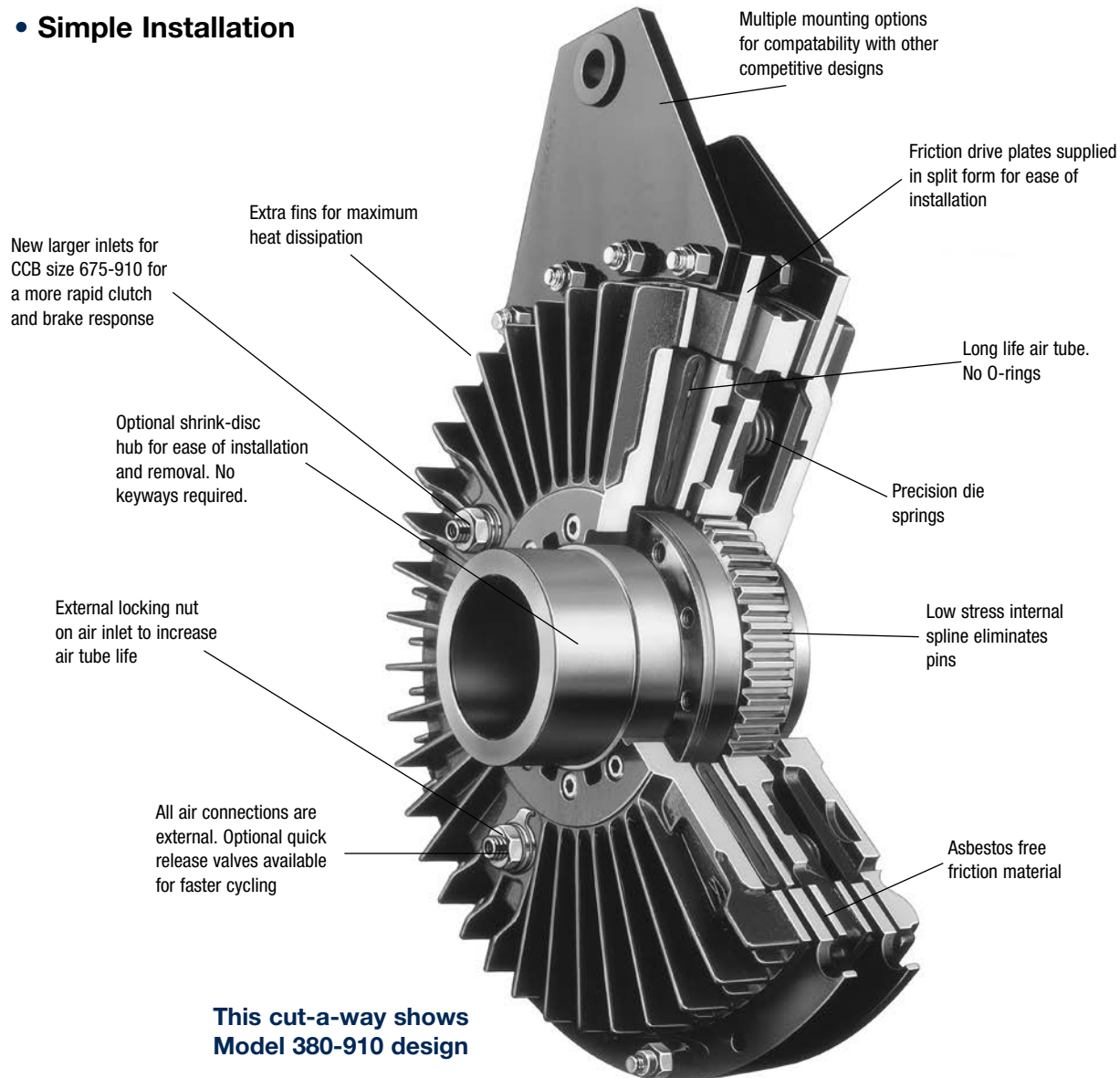


# Combination Clutch/Brake

- For metalforming equipment
- Fast, smooth cycling
- Cool running with higher torque
- Compact disc design
- Simple Installation



**This cut-a-way shows  
Model 380-910 design**

The Wichita Combination Clutch-Brake provides fast, smooth cycling for stamping presses and metalforming equipment. The simple Wichita air tube concept combines an air actuated clutch and a spring-set brake in a compact disc design.

## Design Advantages

- No shaft seals for faster, lower cost installation
- Optional shrink disc mounting for simplified, easier installation
- Cool running for faster cycle rates, higher torques
- Models 380-910 have a single air-tube design that provides long life and high reliability

### Operation

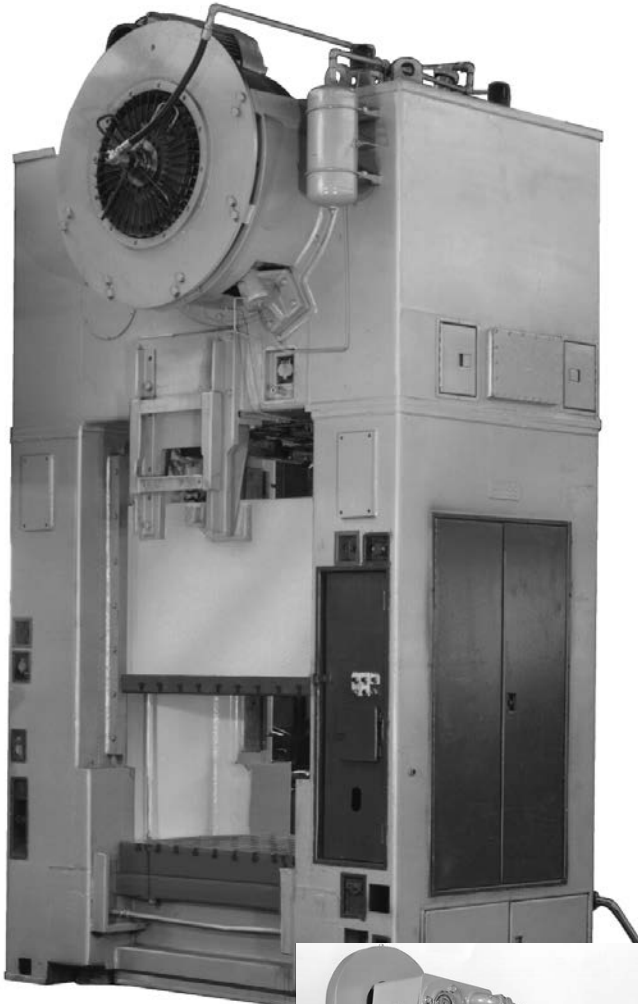
The Wichita Combination Clutch/Brake provides fast, smooth cycling for stamping presses and metalforming equipment.

The simple air-tube concept combines an air actuated clutch and spring-set brake in a compact, pancake assembly that prevents overlap. The extra fins and cooling slots allow for excellent heat dissipation. A low stress spline eliminates driving pins between the shaft and center plate, while the precision die springs provide consistent long-life braking action.

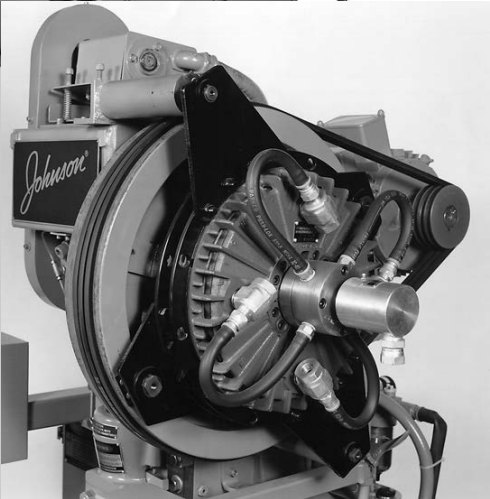
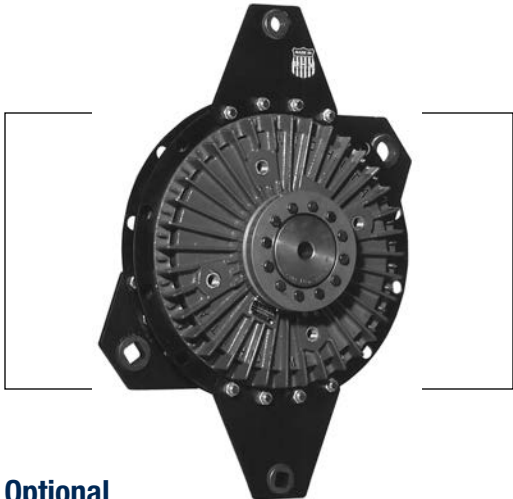
The high performance air-tube design in sizes 380 and above, with optional quick air-release valves, provides faster cycling than piston and cylinder models. There are no o-rings or piston seals to wear-out and leak, and no lubrication or adjustment is necessary. Worn friction plates can be relined at Wichita's factory on an exchange basis.

Installation of the CCB is also easy. The simple air system has external connections and requires no shaft seals. Metric mounting and SAE fasteners are standard. Available in eight sizes with an optional hub for shrink disc mounting. Clutch capacities through 340,000 lb.in. and brake torque through 250,000 lb.in.

Wichita Combination Clutch/Brakes are manufactured and assembled in the United States and backed by a global sales, service and distributor organization.



Wichita CCB is ideal for retrofit applications.



The simple external air system with quick release valves provides smooth, fast cycling.

### Optional

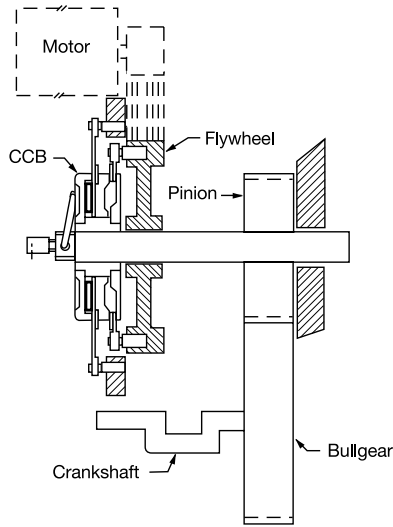
Optional shrink disc hub provides ease of mounting with no keyways.



# Combination Clutch/Brake

## Clutch/Brake Selection

A typical Combination Clutch/Brake application would be on a geared punch press. To properly select a CCB the following application information is needed.



### Application Data

Press Type . . . . . Geared Punch Press  
 Rated Tonnage . . . . . 200 tons  
 Crankshaft Speed . . . . . 30 RPM  
 Degrees of Crank to Start . . . . . 90°  
 Distance Above Bottom - x . . . . . 25 in.  
 1/2 of Press Stroke (throw) = a . . . . . 3 in.  
 WR<sup>2</sup> of Parts on Backshaft . . . . . 78 lb.ft.<sup>2</sup>  
 Required Clutch Torque . . . . . 73,529 lb.in.  
 Stroke . . . . . 6 in.  
 Clutch/Brake Shaft . . . . . 204 RPM  
 Degrees of Crank to Stop . . . . . 120°  
 Connecting rod length = b . . . . . 36 in.  
 WR<sup>2</sup> of Parts on Crankshaft . . . . . 39,091 lb.ft.<sup>2</sup>  
 Cycles/Minute . . . . . 7  
 Air Pressure Available . . . . . 100 PSI  
 Shaft Size . . . . . 4.5 in.

### Selection

Press clutch and brake selection is based on:

1. Application Duty Factor
2. Application clutch torque
3. Application brake torque necessary to stop
4. Maximum Energy Input
5. Heat generated during cycling
6. Bore size

1. To determine the proper Application Duty Factor for a Geared Punch Press, consult page 16. Under Duty "B" or Normal, the Duty Factor is 1-1/2.
2. To determine the application clutch torque, the following information is needed:

a. Torque @ Crank  
 = (Rated Tonnage) (2000 lb./ton) (Torque Arm)

b. Torque Arm = y = (c) (tan a)  
 c = a + b - x  
 = 3 + 36 - .25  
 = 38.75 in.

$$\cos \alpha = \frac{b_2 + c_2 - a_2}{2bc}$$

$$= \frac{(36)^2 + (38.75)^2 - (3)^2}{(2) (36) (38.75)}$$

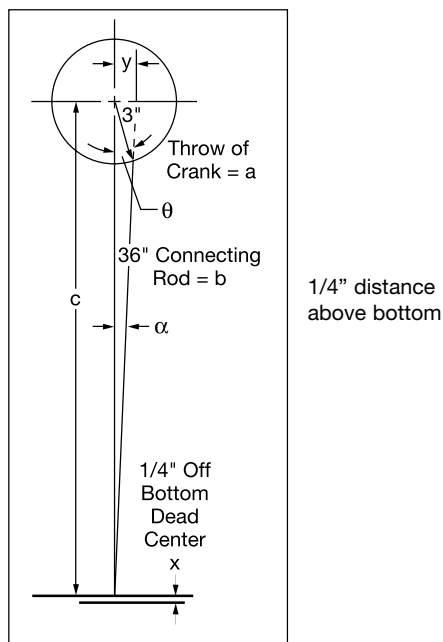
$$= .99948$$

$$= 1.8478^\circ$$

c. Torque Arm = y = (c) (tan α)  
 = (38.75) (tan 1.8478)  
 = (38.75) (.03226)  
 = 1.25 in.

Torque @ Crank  
 = (Rate Tonnage) (2000 lb./ton)(Torque Arm)  
 = (200) (2000) (1.25)  
 = 500,000 lb.in.

Required Torque @ Clutch  
 =  $\frac{(\text{Torque @ Crank}) \times (\text{Crankshaft RPM})}{\text{Clutch Shaft RPM}}$  lb.in.  
 =  $\frac{(500,000) (30)}{204}$  lb.in.  
 = 73,529 lb.in.



Application selection torque = the required torque of 73,529 lb. in. x 1.5 = 110,294 lb.in. (Application Duty Factor for "Geared Punch Press", page 16.

Preliminary selection of CCB based on clutch torque is the CCB 600 with 50% spring compliment. The clutch torque for this model is 124,350 lb.in. @ 80 PSI.

d. Maximum bore for CCB 600 is 5.0 in. bore acceptable.

3. To determine application brake torque necessary to stop the equipment the following information is needed:

a. The inertia of rotating parts referred to the backshaft. It is given in the application data that the inertia ( $WR^2$ ) of parts on the crankshaft is 39,091 lb. ft.<sup>2</sup> at 30 RPM. To calculate  $WR^2$  referred to the backshaft:

$$\left( \frac{30 \text{ RPM of Crankshaft}}{204 \text{ RPM of Backshaft}} \right)^2 \times 39,091 \text{ lb.ft.}^2 = 845 \text{ lb.ft.}^2 @ 204 \text{ RPM}$$

Total  $WR^2$  referred to backshaft is:

$$845 \text{ lb.ft.}^2 + 78 \text{ lb.ft.}^2 = 923 \text{ lb.ft.}^2$$

( $WR^2$  of parts on backshaft from application data)

Total  $WR^2$  to start and stop is:

$$923 \text{ lb.ft.}^2 + 118 \text{ lb.ft.}^2 = 1041 \text{ lb.ft.}^2$$

( $WR^2$  of CCB-600 from page 15)

b. The brake stop time required is 120°. (Based on rotation at 30 RPM).

$$\text{Stop Time} = \frac{\text{Angle to Stop}}{360} \frac{60}{\text{crankshaft RPM}}$$

$$= \frac{120}{360} \frac{60}{30} = .5 \text{ sec.}$$

c. Required deceleration torque =

$$\frac{(WR^2) (\text{CCB RPM})}{(25.6) (\text{Stop Time sec.})} \text{ or } \frac{(1041) (204)}{(25.6)(.5)}$$

$$= 16,590 \text{ lb.in.}$$

d. Application brake torque = (18,466) (1.5) or 27,700 lb.in.

The CCB 600 has a rated brake torque capacity of 35,850 lb.in. with 50% spring compliment.

4. Calculate energy input required for the combination clutch/brake.

$$\text{a. Kinetic Energy} = \frac{(WR^2)(\text{CCB RPM})^2}{5,873}$$

$$\text{KE} = \frac{(1041)(204)^2}{5,873} = 7,376 \text{ lbs.ft.}$$

b. Maximum energy input to the CCB 600 is 14,229 ft.lbs. Therefore, CCB 600 has sufficient energy input capacity.

5. To determine the Heat Horsepower Capacity of the CCB at backshaft speed, you need the following information:

a. Heat HP capacity of CCB 600 @ 200 RPM. (Look up capacity under the 200 RPM heading on page 16.)

$$\text{Heat HP} = 3.7 \text{ Heat HP @ 200 RPM.}$$

b. To determine the Cycles Per Minute Capacity, you need the following information:

$$\frac{(\text{Heat HP @ CCB speed}) (1.9 \times 10^8)}{(WR^2) (\text{RPM})^2}$$

$$\text{or } \frac{3.7 (1.9 \times 10^8)}{(1041) (204)^2}$$

$$= 16 \text{ CPM}$$

## Final Selection:

CCB 600 with 1/2 spring compliment. Also available with shrink disc shaft mounting. (See pages 18–19 for various mounting arrangements).

### Note:

This application example is for preliminary sizing only. Contact a Wichita Sales Engineer or the factory for final selection.

# Combination Clutch/Brake

## Specifications

### Size 380 thru 910

CCB Model	Spring Compliment %	Clutch Dynamic Slip Torque Capacity @ 80 PSI**		Brake Dynamic Slip Torque Capacity		Swept Friction Area in. <sup>2</sup> (cm <sup>2</sup> )	Maximum Energy Input lb.ft. (Joules)	Maximum Speed Balance (Speed* (RPM)) (RPM)
		lb.in.	(Nm)	lb.in.	(Nm)			
380	100%	23,000	(2,600)	18,000	(2,030)	60 (387)	4,640 (6,290)	1,550 (895)
	75%	27,500	(3,100)	13,500	(1,525)			
	50%	32,000	(3,600)	9,000	(1,015)			
	25%	36,500	(4,120)	4,500	(505)			
470	100%	43,400	(4,900)	34,500	(3,890)	120 (774)	9,280 (12,581)	1,250 (725)
	75%	52,000	(5,870)	25,900	(2,920)			
	50%	60,650	(6,845)	17,250	(1,945)			
	25%	69,275	(7,800)	8,625	(975)			
550	100%	68,100	(7,685)	54,000	(6,095)	184 (1,187)	14,229 (19,291)	1,060 (620)
	75%	81,600	(9,210)	40,500	(4,570)			
	50%	95,100	(10,735)	27,000	(3,050)			
	25%	108,600	(12,260)	13,500	(1,525)			
600	100%	88,500	(9,900)	71,700	(8,090)	184 (1,187)	14,229 (19,291)	970 (570)
	75%	106,425	(12,000)	53,775	(6,070)			
	50%	124,350	(14,035)	35,850	(4,045)			
	25%	142,275	(16,060)	17,925	(2,220)			
675	100%	132,000	(14,900)	105,400	(11,910)	308 (1,987)	23,818 (32,291)	860 (500)
	75%	158,350	(17,875)	79,050	(8,930)			
	50%	184,700	(20,845)	52,700	(5,955)			
	25%	211,050	(23,820)	26,350	(2,975)			
760	100%	173,210	(19,570)	156,220	(17,652)	360 (2,323)	27,839 (37,743)	765 (450)
	75%	214,550	(24,240)	117,165	(13,236)			
	50%	255,900	(28,915)	78,110	(8,826)			
	25%	291,115	(32,890)	39,055	(4,415)			
830	100%	254,500	(28,750)	199,000	(22,480)	404 (2,606)	31,241 (42,356)	700 (410)
	75%	309,700	(34,990)	149,300	(16,870)			
	50%	337,300	(38,110)	124,400	(14,055)			
	25%	392,500	(44,345)	74,600	(8,430)			
910	100%	346,800	(39,150)	258,400	(29,160)	462 (2,981)	35,726 (48,437)	640 (375)
	75%	411,400	(46,430)	193,800	(21,870)			
	50%	476,000	(52,725)	129,200	(14,580)			
	25%	540,600	(66,000)	64,600	(7,290)			

Maximum operating pressure is 100 PSI, (7BAR)

\* Operating the unit above the Balance speed to Maximum, it is recommended to have the unit balanced. It is suggested to operate the unit in a continuous running, non-cyclic mode. Operating the unit in a cyclic, single-stroking mode, may result in some dusting of the friction material.

\*\* For dry operation only. It is essential to keep the friction material free of lubricants.

Model Size	Assembly (100% SPR. COMPL)	Drawing Numbers	Part Family
380	7-915-100-209-0000	7-915-100-931-1&2	546
470	7-918-100-205-0000	7-918-100-931-1&2	547
550	7-922-100-209-0000	7-922-100-931-1&2	549
600	7-923-100-209-0000	7-923-100-931-1&2	551
675	7-927-100-209-0000	7-927-100-931-1&2	552
760	7-930-100-209-0000	7-930-100-931-1&2	553
830	7-933-100-209-0000	7-933-100-931-1&2	555
910	7-935-100-209-0000	7-935-100-931-1&2	554

# Combination Clutch/Brake

## Specifications

Size 380 thru 910

Dimensions: inches (mm)

CCB Model	Maximum Bores			Internal Parts Inertia		'R' External Parts Inertia		Total Weight (RR Style)	
	Square Key in. (mm)	Twin Rect. Keys in. (mm)	Shrink Disc in. (mm)	lb.ft. <sup>2</sup>	(kgm <sup>2</sup> )	lb.ft. <sup>2</sup>	(kgm <sup>2</sup> )	lb.	(kg)
380	2-7/8 (73)	3-3/16 (81)	3-1/8 (80)	12.4	(.52)	4	(0.17)	99	(45)
470	3-3/8 (86)	3-3/4 (95)	4-1/8 (105)	33.3	(1.4)	16	(0.67)	190	(86)
550	4-1/2 (114)	4-3/4 (121)	5-1/2 (140)	70.2	(3.0)	23	(0.97)	290	(132)
600	5 (127)	5 (127)	6-3/32 (155)	118	(5.0)	72	(3.0)	380	(172)
675	5 (127)	5-1/2 (140)	6-3/32 (155)	209	(8.8)	80	(3.4)	530	(240)
760	6-3/10 (160)	6-7/8 (175)	7-7/8 (200)	370	(15.6)	154	(6.5)	760	(345)
830	6-7/8 (175)	7-1/2 (191)	8-15/32 (215)	455	(19.2)	226	(9.5)	635	(288)
910	7-1/8 (181)	8-3/8 (213)	9-1/4 (235)	820	(34.5)	280	(11.8)	1,190	(540)

# Combination Clutch/Brake

## Application Duty Factors

Field of Application	Duty B Normal – Factor 1-1/2	Duty C Heavy – Factor 3-1/4	Duty D Extra Heavy – Factor 5-1/2
Metal Production & Forming	Press Brake	Shear	Forming Press
	Non-Geared Punch Press	Back Geared Punch Press	Forging Press
	Flywheel Drive*	Double Back Shaft Drive*	Header Press
	Geared Punch Press	Deep Draw Press	Knuckle Press
	Single Back Shaft Drive*		
	Single Reduction Drive*	Transfer Press	
	Single Gear Drive*	Toggle Press	

\* Alternate common industry name for above machine type

## Heat Horsepower Capacity

CCB	Speed – RPM								
	100	200	300	400	500	600	700	800	900
170	.12	.16	.20	.23	.25	.27	.28	.30	.31
190	.16	.21	.25	.28	.30	.32	.34	.35	.36
230	.28	.35	.42	.45	.48	.51	.54	.58	.61
310	.51	.63	.74	.84	.93	.98	1	1.07	1.12
380	1	1.3	1.6	1.8	1.9	2	2	2.4	2.7
470	1.7	2.1	2.4	2.8	3.1	3.4	3.6	3.9	4.2
550	2.5	3.0	3.5	3.9	4.3	4.7	5.1	5.6	6
600	3	3.7	4.3	4.9	5.5	5.9	6.2	6.6	7
675	3.7	4.4	5	5.8	6.5	7.1	7.6	8.1	*
760	5	6.1	7.1	7.7	8.3	8.9	9.5	*	*
830	6.5	7.9	9.3	10.2	11.1	11.9	12.7	*	*
910	8	9.8	11.5	12.8	14	15.2	*	*	*

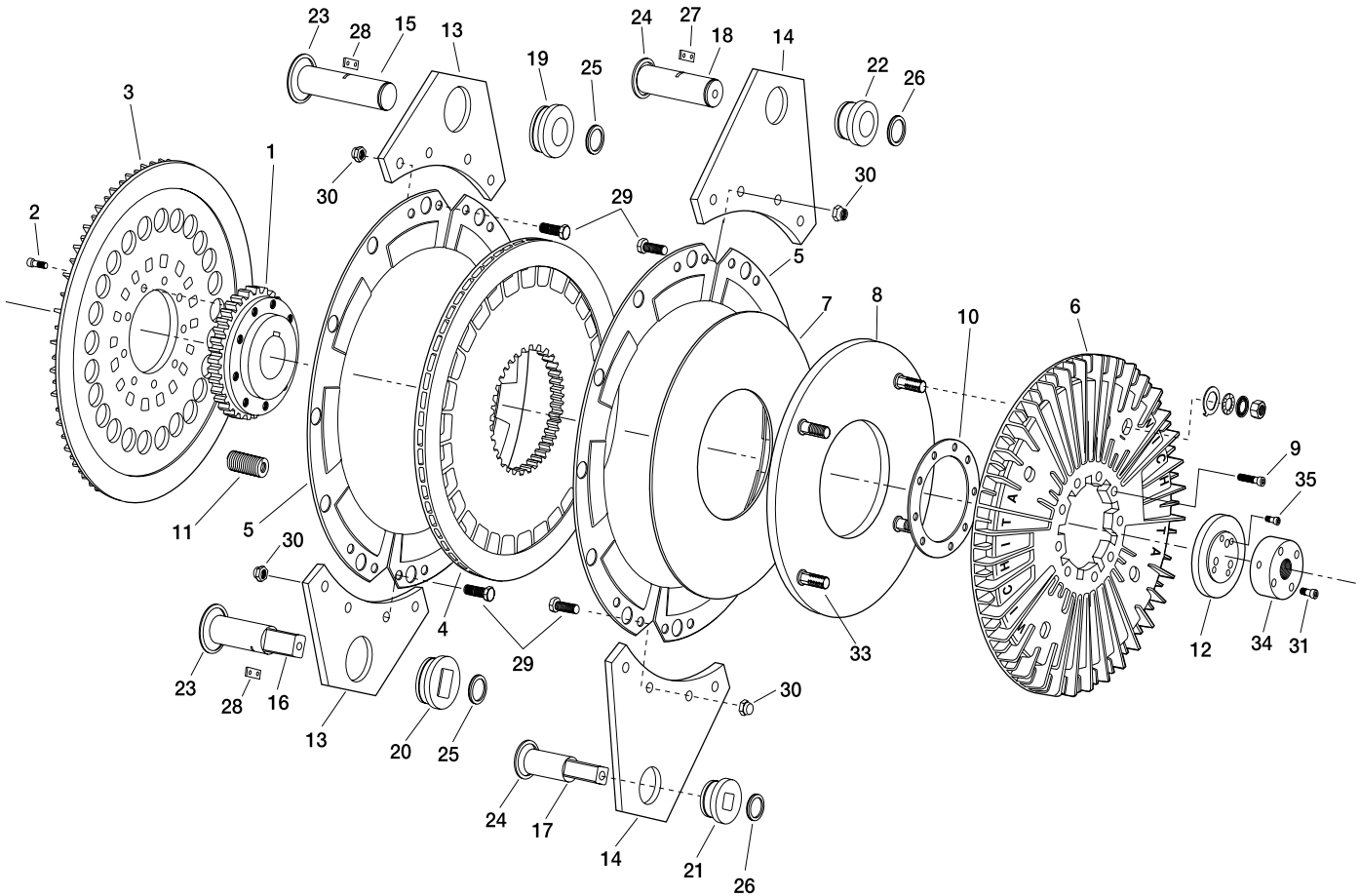
\* Beyond maximum speed limit

# Combination Clutch/Brake

## Component Parts

Size 380 thru 910

A



- 1. Hub
- 2. Bolt
- 3. Back Plate
- 4. Center Plate
- 5. Drive Plate
- 6. Air-Tube Holding Plate
- 7. Pressure Plate
- 8. Air-Tube
- 9. Air-Tube Holding Plate Bolts
- 10. Shim
- 11. Brake Springs
- 12. End Cap
- 13. Short Mounting Bracket
- 14. Long Mounting Bracket

- 15. Drive Pin (Round Clutch)
- 16. Drive Pin (Square Clutch)
- 17. Drive Pin (Square Brake)
- 18. Drive Pin (Round Brake)
- 19. Drive Bushing (Round Clutch)
- 20. Drive Bushing (Square Clutch)
- 21. Drive Bushing (Square Brake)
- 22. Drive Bushing (Round Brake)
- 23. Snap Ring
- 24. Snap Ring
- 25. Snap Ring
- 26. Snap Ring
- 27. Retainer Plate (Brake Drive Pin)
- 28. Retainer Plate (Clutch Drive Pin)
- 29. Hex Head Capscrew (HHCS)

- 30. Flex Lock Nuts
- 31. Socket Head Capscrew (SHCS)
- 33. Air Spud
- 34. Air Manifold
- 35. Socket Head Capscrew (SHCS)

Not Shown:

- Bolt & Nut between Pressure Plate and Center Plate
- Clip, Bolt & Nut on Ring Mount

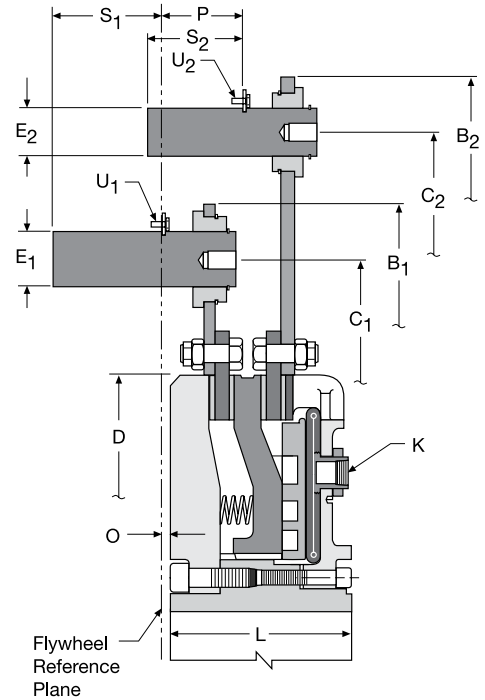
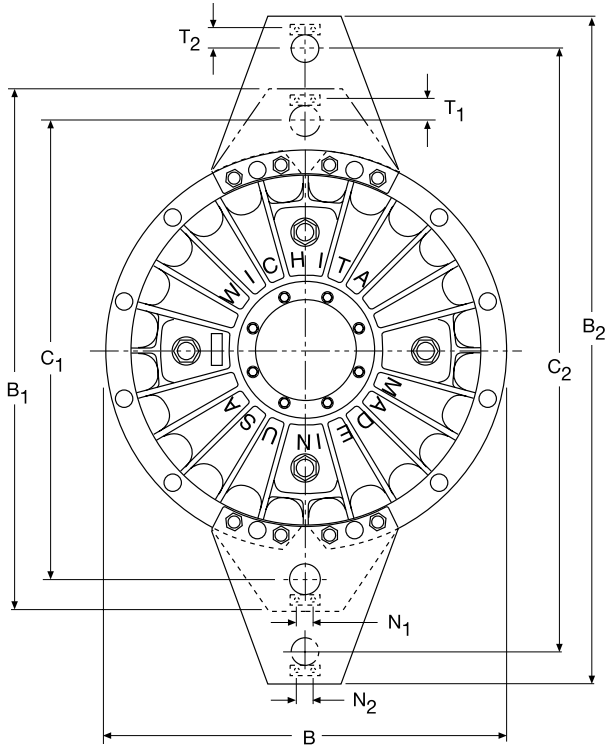




# Combination Clutch/Brake

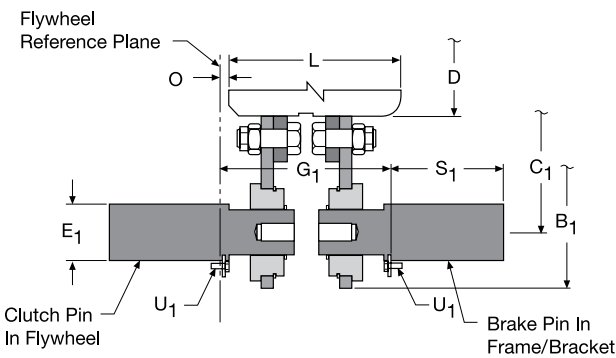
## Component Parts

Size 380 thru 910



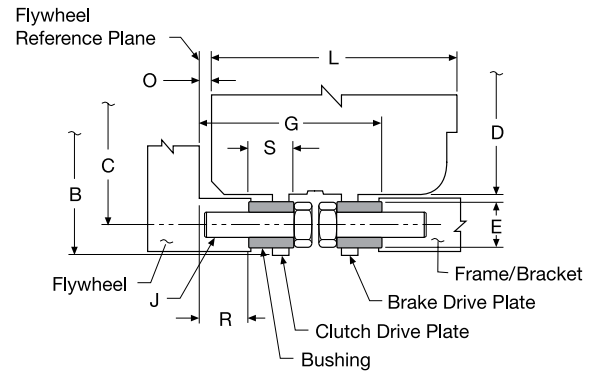
**PEP**

**(Pin to Extended Pin)**



**PP**

**(Pin to Pin)**



**RR**

**(Ring to Ring)**

**RP (Ring to Pin)**

**RR (Ring to Ring)\***

**PP (Pin to Pin)\***

\* Dimensions same as RP design  
All ring drives to have pins located  
in pin size counterbores 0.13" deep.

# Combination Clutch/Brake

## Component Parts

Size 380 thru 910

### Dimensions: inches (mm)

Model No.	A Max. Bore*	C, C <sub>1</sub> , C <sub>2</sub> dimensions are ± .007 (.18)											
		B	B <sub>1</sub>	B <sub>2</sub>	C	C <sub>1</sub>	C <sub>2</sub>	D	E +.000/ -.002	E <sub>1</sub> +.001/ -.000	E <sub>2</sub> +.001/ -.000	G RR	G <sub>1</sub> PP
380	2.875 (73)	17.13 (435)	22.05 (560)	26.77 (680)	16.063 (408)	19.488 (495)	25.000 (635)	14.94 (380)	0.709 (18)	1.181 (30)	0.866 (22)	3.24 (82.2)	4.32 (109.7)
470	3.375 (86)	21.06 (535)	27.36 (695)	33.66 (855)	19.685 (500)	24.016 (610)	31.102 (790)	18.50 (470)	0.984 (25)	1.575 (40)	1.181 (30)	4.02 (102.1)	4.88 (124.0)
550	4.500 (114)	24.41 (620)	30.71 (780)	37.40 (950)	22.992 (584)	27.362 (695)	34.843 (885)	21.65 (550)	0.984 (25)	1.575 (40)	1.181 (30)	5.06 (128.4)	6.42 (163.1)
600	5.000 (127)	26.77 (680)	34.25 (870)	42.32 (1,075)	25.197 (640)	30.315 (770)	38.976 (990)	23.62 (600)	1.181 (30)	1.772 (45)	1.575 (40)	4.83 (122.6)	6.22 (158.0)
675	5.000 (127)	30.51 (775)	39.37 (1,000)	48.56 (1,235)	28.543 (725)	34.646 (880)	44.685 (1,135)	26.57 (675)	1.378 (35)	2.165 (55)	1.772 (45)	5.39 (136.9)	6.98 (177.3)
760	6.300 (160)	34.06 (865)	42.91 (1,090)	52.56 (1,335)	31.890 (810)	38.189 (970)	48.622 (1,235)	29.92 (760)	1.575 (40)	2.165 (55)	1.772 (45)	5.96 (151.4)	7.50 (190.5)
830	6.875 (175)	37.50 (953)	49.31 (1,252)	63.09 (1,602)	— (—)	43.307 (1,100)	57.087 (1,450)	32.68 (830)	1.772 (45)	2.954 (75)	2.560 (65)	7.19 (182.6)	8.75 (222.3)
910	7.125 (181)	40.35 (1,025)	52.76 (1,340)	65.75 (1,670)	37.992 (965)	46.457 (1,180)	60.039 (1,525)	35.82 (910)	1.772 (45)	2.953 (75)	2.559 (65)	7.43 (188.7)	9.61 (244.1)

### Dimensions: inches (mm)

Model No.	Qty.	K Size	Lengths											Thread		
			L	N <sub>1</sub>	N <sub>2</sub>	O	P	R	S	S <sub>1</sub>	S <sub>2</sub>	T <sub>1</sub>	T <sub>2</sub>	J	U <sub>1</sub>	U <sub>2</sub>
380	4	1/2" NPT	4.41 (112)	1.00 (25)	1.00 (25)	0.47 (12)	2.05 (52.0)	0.96 (45.5)	0.75 (19)	2.36 (60)	1.77 (45)	0.79 (20)	0.63 (16)	3/8-16 NC	#10-24 NC	#10-24 NC
470	4	1/2" NPT	5.50 (140)	1.378 (35)	1.00 (25)	0.41 (10.5)	2.60 (66.5)	1.12 (28.5)	0.87 (22)	3.15 (80)	2.36 (60)	1.06 (27)	0.79 (20)	1/2-13 NC	1/4-20 NC	#10-24 NC
550	4	1/2" NPT	6.30 (160)	1.378 (35)	0.984 (25)	0.51 (13.0)	3.17 (80.5)	1.34 (34)	1.18 (30)	3.15 (80)	2.36 (60)	1.06 (27)	0.79 (20)	1/2-13 NC	1/4-20 NC	#10-24 NC
600	4	1/2" NPT	7.28 (185)	1.378 (35)	1.378 (35)	0.49 (12.5)	3.19 (81.0)	1.32 (33.5)	1.06 (27)	3.54 (90)	3.15 (80)	1.16 (29.5)	1.06 (27)	5/8-11 NC	5/16-18 NC	1/4-20 NC
675	4	1" NPT	8.00 (203)	1.772 (45)	1.378 (35)	0.49 (12.5)	3.88 (98.5)	1.42 (36)	1.25 (32)	4.33 (110)	3.54 (90)	1.52 (38.5)	1.16 (29.5)	3/4-10 NC	5/16-18 NC	1/4-20 NC
760	4	1" NPT	9.06 (230)	1.772 (45)	1.378 (35)	0.49 (12.5)	4.23 (107.5)	1.59 (40.5)	1.50 (38)	4.33 (110)	3.54 (90)	1.52 (38.5)	1.16 (29.5)	7/8-9 NC	5/16-18 NC	1/4-20 NC
830	4	1" NPT	8.00 (203)	1.75 (45)	1.75 (45)	0.50 (12.7)	4.32 (109.7)	1.94 (49.3)	1.75 (44.5)	5.91 (150.1)	5.12 (130)	1.71 (43.5)	1.71 (43.5)	1-8 NC	5/16-18 NC	5/16-18 NC
910	3	1" NPT	10.24 (260)	2.362 (60)	1.772 (45)	0.89 (22.5)	4.90 (124.5)	2.10 (53.5)	1.75 (44.5)	5.91 (150)	5.12 (130)	2.07 (52.5)	1.71 (43.5)	1-8 NC	3/8-16 NC	5/16-18 NC

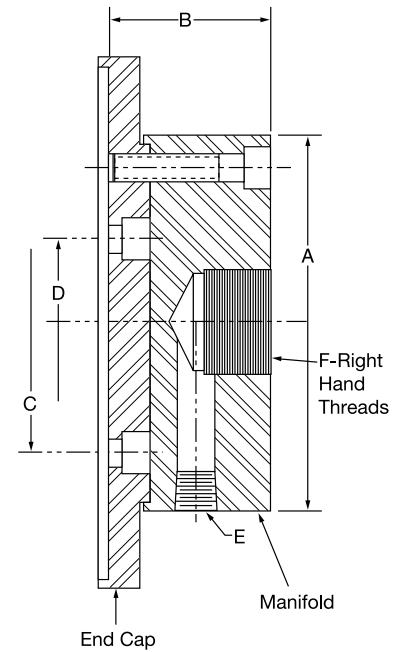
\* Maximum bores with square key. Larger bores available with shallow keys.

**Note:** For mounting, use socket head capscrews conforming to the ASTM-574-97a.

# Combination Clutch/Brake

## End Cap Air Manifold

Model	Kit No.	A	B	C	D	E	F
380	8-546-021-000-1	4.188	3.12	N/A	.875 H.C. 13/32 Drill 3 at 120°	1/2" NPT 4 at 90°	1"-14 NF
470	8-547-021-000-1	4.188	3.12	N/A	1.250 H.C. 13/32 Drill 3 at 120°	1/2" NPT 4 at 90°	1"-14 NF
550	8-549-021-000-1	4.937 / 4.935	3.12	3.000 H.C. 13/32 Drill 3 at 120°	2.000 H.C. 13/32 Drill 3 at 120°	1/2" NPT 4 at 90°	1-1/2"-12 NF
600	8-552-021-000-1	4.938	3.12	2.875 H.C. 13/32 Drill 3 at 120°	N/A	1/2" NPT 4 at 90°	1-1/2"-12 NF
675	8-552-021-000-1	4.938	3.12	2.875 H.C. 13/32 Drill 3 at 120°	N/A	1/2" NPT 4 at 90°	1-1/2"-12 NF
760	8-553-021-000-1	7.000	3.12	N/A	3.500 H.C. 13/32 Drill 3 at 120°	1/2" NPT 4 at 90°	1-1/2"-12 NF
830	4-555-021-000-3	9.50	4.06	N/A	4.000 H.C. 9/16 Drill 4 at 90°	1" NPT 4 at 90°	1-1/2"-12 NF
910	8-554-021-000-1	7.255 / 7.250	3.12	5.000 H.C. 17/32 Drill 3 at 120°	3.250 H.C. 17/32 Drill 3 at 120°	1/2" NPT 6 at 60°	2"-12 NF



## Clearance & Wear Chart

Model	Minimum Clearance		W+		Maximum			Tank Vol.		Pipe Size		Roto-Coupling* Part No.
	in.	(mm)	in.	(mm)	K+	Wear	in.	(mm)	in. <sup>3</sup>	liters	in.	
380	1/32	(0.8)	0.1	(2.5)	86	0.12 (3)	100	1.6	3/4	(19)	8-240-708-001-1	
470	1/32	(0.8)	0.1	(2.5)	134	0.16 (4)	155	2.5	3/4	(19)	8-240-708-001-1	
550	3/64	(1.2)	0.11	(2.8)	196	0.20 (5)	250	4.1	1	(32)	8-240-710-002-1	
600	3/64	(1.2)	0.11	(2.8)	215	0.20 (5)	275	4.5	1	(32)	8-240-710-002-1	
675	1/16	(1.6)	0.12	(3.2)	280	0.25 (6)	390	6.4	1	(32)	8-240-710-002-1	
760	1/16	(1.6)	0.12	(3.2)	360	0.25 (6)	500	8.2	1	(32)	8-240-710-002-1	
830	3/32	(2.4)	0.16	(4)	489	0.25 (6)	800	13.1	1-1/2	(38)	8-240-710-002-1	
910	3/32	(2.4)	0.16	(4)	530	0.28 (7)	1000	16.4	1-1/2	(38)	8-240-712-001-1	

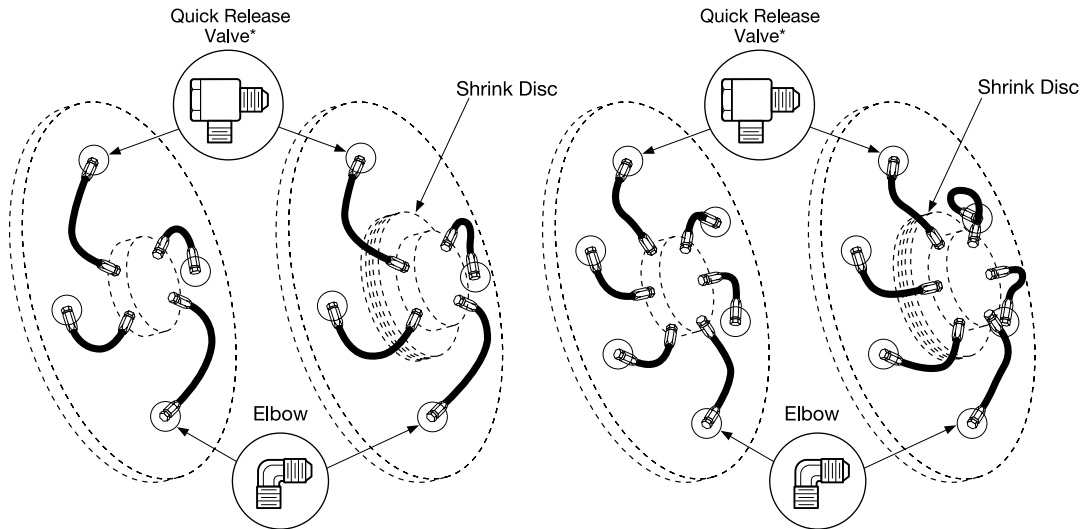
\*See page 35 for dimensions



# Combination Clutch/Brake

## Air Hose Kits Sizes 380 thru 910

A



\* Optional Quick Release Valves can replace elbows on most units.

Hose Kit for Air Manifold or Cross Drilled Shaft Mounting	
Model	Part Number
380	8-938-812-402-5 ELB 8-938-820-401-5 QRV
470	8-947-812-402-5 ELB 8-947-820-401-5 QRV
550	8-955-812-402-5 ELB 8-955-820-401-5 QRV
600	8-960-812-402-5 ELB 8-960-820-401-5 QRV
675	8-967-812-402-5 ELB 8-967-820-401-5 QRV
760	8-976-812-402-5 ELB 8-976-820-401-5 QRV
830	8-983-813-401-5 ELB 8-983-831-401-5 QRV

Hose Kit for Shrink Disc Mid-Shaft Mounting	
Model	Part Number
380	8-938-812-401-5 ELB 8-938-822-401-5 QRV
470	8-947-812-401-5 ELB 8-947-822-401-5 QRV
550	8-955-812-401-5 ELB 8-955-822-401-5 QRV
600	8-960-812-401-5 ELB 8-960-822-401-5 QRV
675	8-967-812-401-5 ELB 8-967-822-401-5 QRV
760	8-976-812-401-5 ELB 8-976-822-401-5 QRV
830	8-983-813-402-5 ELB 8-983-831-402-5 QRV

Hose Kit for Air Manifold or Cross Drilled Shaft Mounting	
Model	Part Number
910	8-991-812-502-5 ELB 8-991-820-501-5 QRV

Hose Kit for Shrink Disc Mid-Shaft Mounting	
Model	Part Number
910	8-991-812-503-5 ELB 8-991-822-503-5 QRV

Wichita Air Hose Kits contain all the necessary parts (fittings, hoses and extensions) to completely plumb the brake air system. The Hose Kit part number is determined by model number, type of shaft mounting and whether or not a quick release valve is needed.

Muffler Part Number: 4-263-605-002-0

