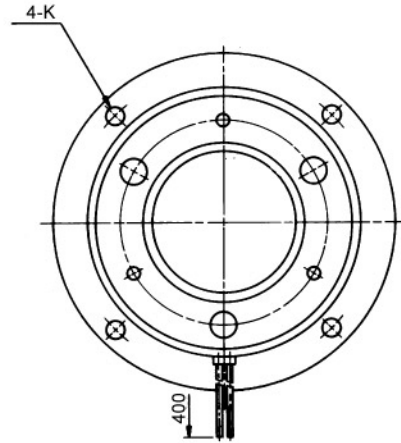
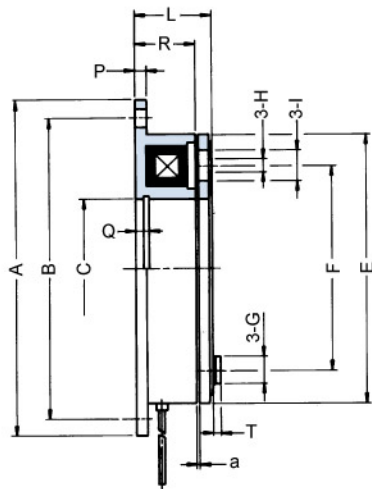


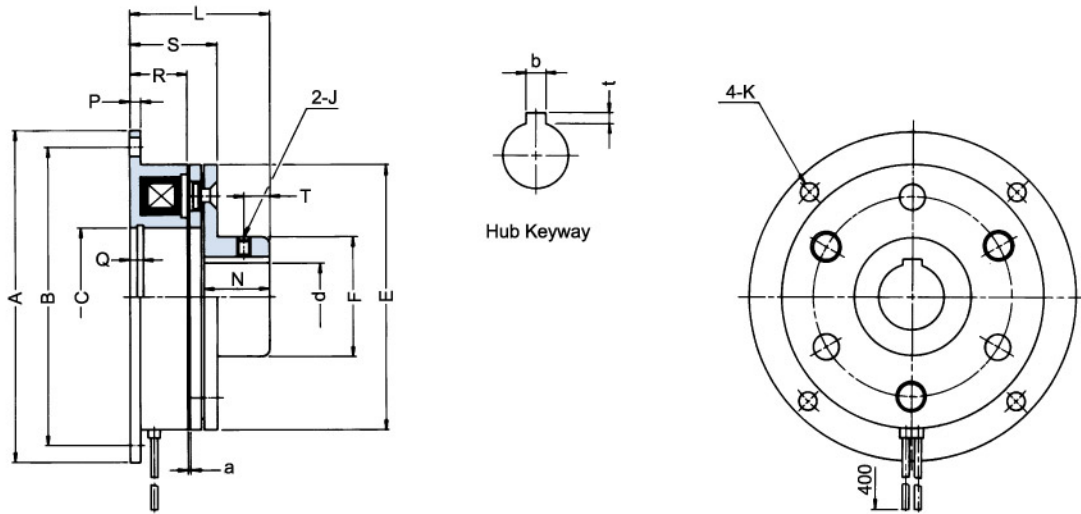
Model **FBD** Flange-mounted brake Direct-mounted armature



Dimensions in mm.

SIZE		0.6	1.2	2.5	5	10	20	40
Static Torque	kgm	0.55	1.1	2.2	4.5	9	17	36
Exciting Voltage	DC-V	24	24	24	24	24	24	24
Capacity (at 20°C)	W	11	15	20	25	35	45	60
Max. Revolution	RPM	5000	5000	4500	4000	3000	2500	2000
Diameter	Ah8	80	100	125	150	190	230	290
	B	72	90	112	137	175	215	270
	Ch8	35	42	52	62	80	100	125
	E	63	80	100	125	160	200	250
	F	46	60	76	95	120	158	210
	G	6	8	10	12	14	16	20
	H	3.1	4.1	5.1	6.1	8.1	10.2	12.2
	I	8	10	12	15	17	19	23
Length	K	5	6	7	7	10	10	12
	L	22	24.5	28	31	35	41.5	48
	P	2	2.5	3	3.5	4	5	6
	Q	2.5	4.3	5	5.5	6	7	8
	R	18	20	22	24	26	30	35
Air Gap	T	2	2	2.5	3	3	4	5
	a	0.2	0.2	0.2	0.3	0.3	0.4	0.5
Weight	kg	0.4	0.6	1.0	1.8	3.5	6.5	12.5

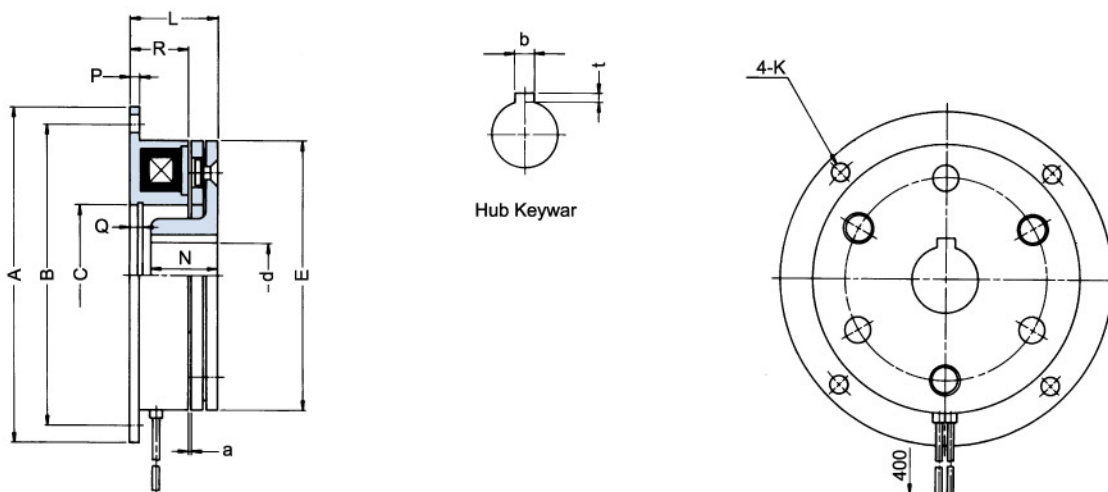
Model **FBH** Flange-mounted brake Hub-mounted armature outer boss



Dimensions in mm.

SIZE		0.6	1.2	2.5	5	10	20	40							
Static Torque	kgm	0.55	1.1	2.2	4.5	9	17.5	36							
Exciting Voltage	DC-V	24	24	24	24	24	24	24							
Capacity (at 20°C)	W	11	15	20	25	35	45	60							
Max. Revolution	RPM	5000	5000	4500	4000	3000	2500	2000							
Bore (Hub)	Dia.	12	15	15	20	20	25	25	30	30	40	40	50	50	60
	dH7 keyway	4x1.5	5x2	5x2	5x2	5x2	7x3	7x3	7x3	7x3	10x3.5	10x3.5	12x3.5	12x3.5	15x5
Diameter	Ah8	80	100	125	150	190	230	290							
	B	72	90	112	137	175	215	270							
	CH7	35	42	52	62	80	100	125							
	E	63	80	100	125	160	200	250							
	F	26	31	42	50	65	85	105							
	J	M4	M5	M5	M6	M6	M8	M10							
	K	5	6	7	7	10	10	12							
Length	L	37	44.5	53	61	73	86.5	103							
	N	15	20	25	30	38	45	55							
	P	2	2.5	3	3.5	4	5	6							
	Q	3.5	4.3	5	5.5	6	7	8							
	R	18	20	22	24	26	30	35							
	S	25.5	28.5	33	37	42	50.5	59							
	T	6	8	10	12	15	18	22							
Air Gap	a	0.2	0.2	0.2	0.3	0.3	0.4	0.5							
Weight	kg	0.5	0.8	1.4	2.4	4.8	9.5	14.2							

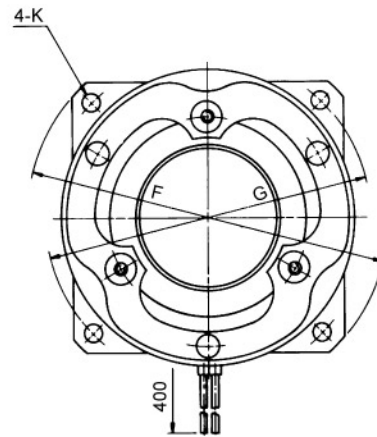
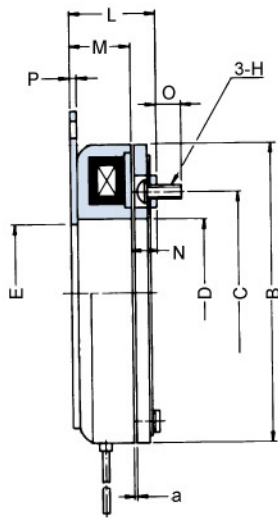
Model **FBN** Flange-mounted brake Hub-mounted armature inner boss



Dimensions in mm.

SIZE		0.6		1.2		2.5		5		10		20		40	
Static Torque	kgm	0.55		1.1		2.2		4.5		9		17		36	
Exciting Voltage	DC-V	24		24		24		24		24		24		24	
Capacity (at 20°C)	W	11		15		20		25		35		45		60	
Max. Revolution	RPM	5000		5000		4500		4000		3000		2500		2000	
Bore (Hub)	Dia.	12	15	15	20	20	25	25	30	30	40	40	50	50	60
	keyway	4x1.5	5x2	5x2	5x2	5x2	7x3	7x3	7x3	7x3	10x3.5	10x3.5	12x3.5	12x3.5	15x5
Diameter	Ah8	80		100		125		150		190		230		290	
	B	72		90		112		137		175		215		270	
	Ch7	35		42		52		62		80		100		125	
	E	63		80		100		125		160		200		250	
	K	5		6		7		7		10		10		12	
Length	L	25.5		28.5		33		37		42		50.5		59.5	
	N	15		20		25		30		38		45		55	
	P	2		2.5		3		3.5		4		5		6	
	Q	3.5		4.3		5		5.5		6		7		8	
	R	18		20		22		24		26		30		35	
Air Gap	a	0.2		0.2		0.2		0.3		0.3		0.4		0.5	
Weight	kg	0.5		0.8		1.4		2.4		4.8		9.5		14.2	

Model **MBF** Flange-mounted brake Direct-mounted armature



Dimensions in mm.

SIZE		0.6	1.2	2.5	5	10	20
Static Torque	kgm	0.6	1.2	2.5	5	10	20
Exciting Voltage	DC-V	24	24	24	24	24	24
Capacity (at 20°C)	W	11	15	22	30	38	50
Max. Revolution	RPM	5000	5000	4500	4000	3000	2500
Diameter	B	70	88	110	137	172	217
	C	50	60	76	95	120	158
	D	36	46	54	67	89	108
	E	35	45	52	65	80	100
	F	90	110	135	165	210	265
	G	80	98	122	150	190	240
	H	M3	M4	M5	M6	M8	M10
Length	K	4.5	5.5	6.5	6.5	9	11
	L	25	29	32.5	36.5	41	48.5
	M	19	22	24	26	28	32
	N	6	7	8.5	10.5	13	16.5
	O	5	6.5	8	11	14	17.5
Air Gap	a	0.2	0.2	0.2	0.2	0.3	0.4
Weight	kg	0.35	0.7	1.35	2.3	4.5	8.2