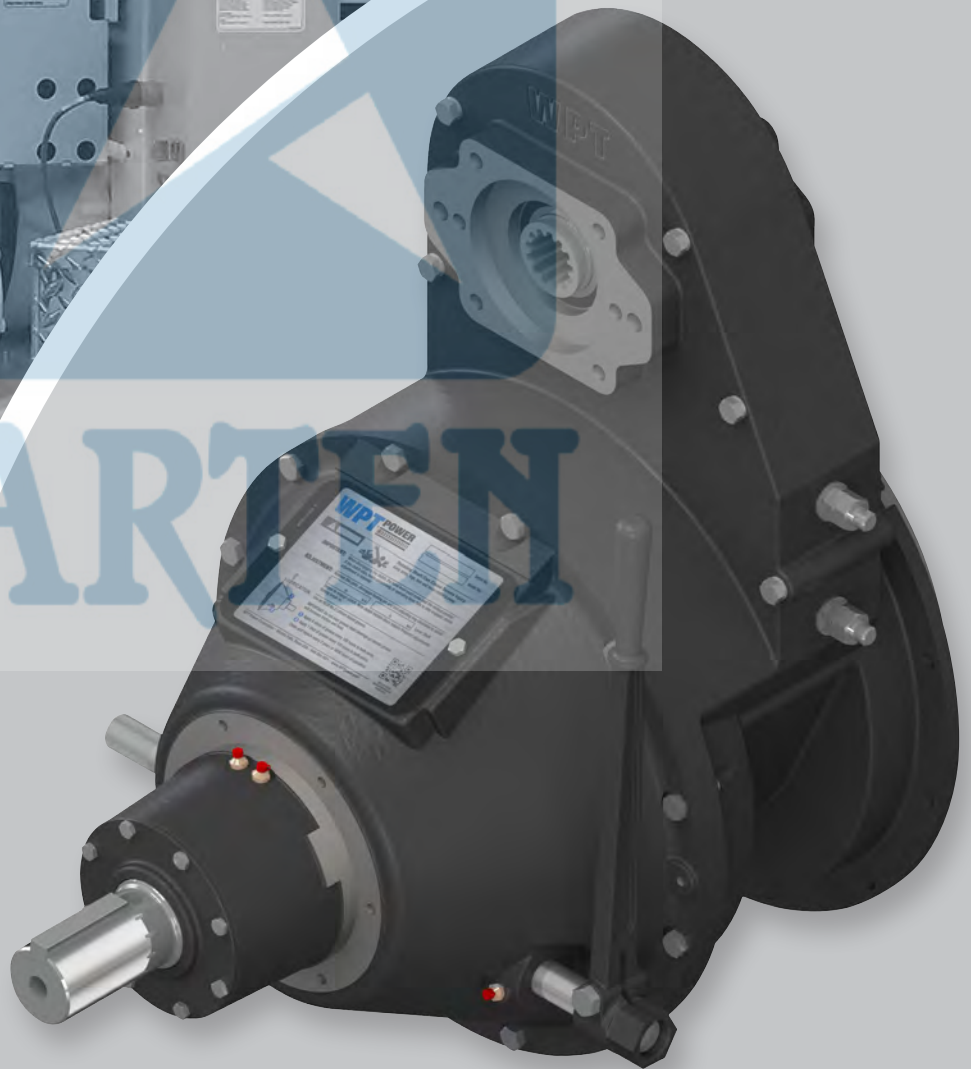


Engine Driven Products



Vision Statement

Our vision is to be the leader in every market we serve, to the benefit of our customers and our shareholders.

Mission Statement

Profitable growth through superior customer service, innovation, quality and commitment to customer satisfaction.



Core Values

1. We respect each other, our community and the environment.
2. We are ethical and honest in all of our business dealings.
3. We are diligent in protecting the safety of our people.
4. We are disciplined and personally accountable for our decisions, actions attitude and results.
5. We have an entrepreneur's mindset, driving innovation and striving for excellence in all we do.
6. We openly communicate among all levels of the company.
7. We believe in working as a team toward common objectives with a can-do attitude.

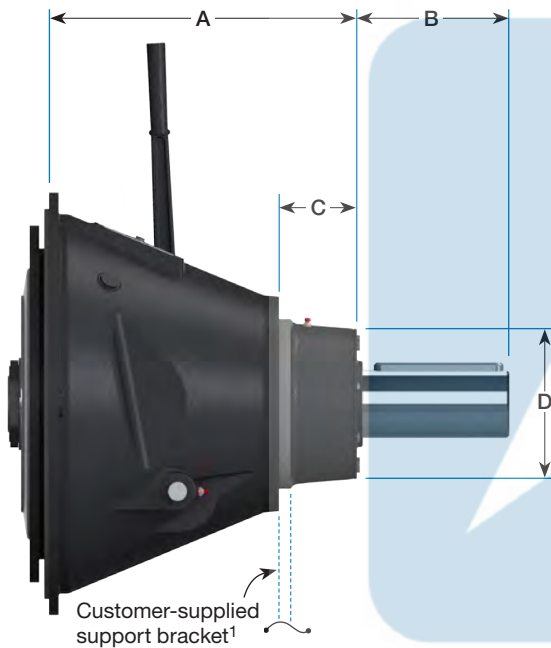
▶ 2	Mechanical Pilotless™ Power Take-Off
▶ 3	Pilotless™ Over-The-Shaft Power Take-Off
▶ 4	Automotive-Style Spring Loaded Power Take-Off
▶ 6	Mechanical Power Take-Off
▶ 8	Type 2 Air/Hydraulic Power Take-Off
▶ 9	Type 1 Air/Hydraulic Power Take-Off
▶ 10	Python™ Hydraulic Clutch Control
▶ Page 11	Hydraulic Power Unit
▶ Page 12	PTO Product Selection Guide
▶ Page 16	Pump Drive Selection Guide

WPT Power is constantly striving to improve and develop the product range. For this reason, WPT Power reserves the right to make changes in any product information without prior notice. Every effort has been made to ensure that the dimensions, performance, specifications, etc. are correct at the time of printing. For more information, please contact your authorized WPT Power distributor or visit: WPTpower.com.

Pilotless™ Mechanical Power Take-Off

Industrial engine applications are more demanding than ever. Customers need a solution rugged enough to meet those demands and WPT Power has engineered that solution with the *WPT Pilotless™*

Mechanical Power Take-Off. This design eliminates the pilot bearing and increases side load capacity over previous generations of PTO products. The *WPT Pilotless™* Mechanical Power Take-Off will optimize your cost by reducing inventory, increasing uptime and engine life, and simplify installation time.



- Dual spherical roller main bearing design.
- Time savings for assembly since no pilot bearing alignment required.
- Most sizes fit within envelope of previous design.
- No direct loading to engine crankshaft increases life of engine main bearings.
- No installation related engine thrust bearing damage.
- 100% equipped with ball-bearing engagement collars.
- Increased side load capacity.

Model	SAE Housings	A	Output Shaft			C	D	Weight lb (kg)	# of Teeth
			B	Dia	Keyway				
WPL 106	5, 4	8 7/16 (214.6)	2 1/8 (55.4)	1.438 (36.53)	3/8 x 3/16	2 7/16 (62.7)	4 7/16 (112.8)	72 (33)	42
WPL 107	5, 4	8 7/16 (214.6)	2 1/8 (55.4)	1.438 (36.53)	3/8 x 3/16	2 7/16 (62.7)	4 7/16 (112.8)	75 (134)	47
WPL 108	4	8 3/8 (213.4)	4 5/8 (118.4)	1.750 (44.45)	1/2 x 1/4	3 (76.7)	4 13/16 (122.9)	88 (40)	51
WPL 110	4, 3	9 3/4 (248.4)	3 15/16 (100.1)	2.250 (57.15)	5/8 x 5/16	3 1/2 (89.4)	5 3/4 (146.1)	125 (57)	63
WPL 111	3	11 7/16 (291.7)	4 1/16 (102.6)	2.250 (57.15)	5/8 x 5/16	11 1/8 (282.7)	5 3/4 (146.1)	162 (73)	72
WPL 211	3, 2	12 9/16 (320.0)	3 5/8 (92.5)	2.500 (63.50)	5/8 x 5/16	4 1/4 (108.0)	6 3/4 (171.5)	218 (99)	72
WPL 311 ¹	3, 2	15 3/4 (400.8)	8 (204.0)	3.500 (88.90)	7/8 x 7/16	3 11/16 (94.2)	7 3/4 (196.9)	343 (156)	72
WPL 114	1	13 5/8 (346.2)	5 1/8 (130.6)	3.000 (76.20)	3/4 x 3/8	3 3/4 (95.2)	6 3/4 (171.5)	275 (125)	59
WPL 214 ¹	1, 0	16 3/16 (411.5)	7 1/2 (191.8)	3.500 (88.90)	7/8 x 7/16	4 5/16 (110.2)	7 3/4 (196.9)	407 (185)	59
WPL 314 ¹	1, 0	17 1/16 (433.1)	7 1/2 (190.5)	3.938 (100.01)	1 x 1/2	3 7/8 (99.6)	8 1/4 (209.6)	470 (213)	59

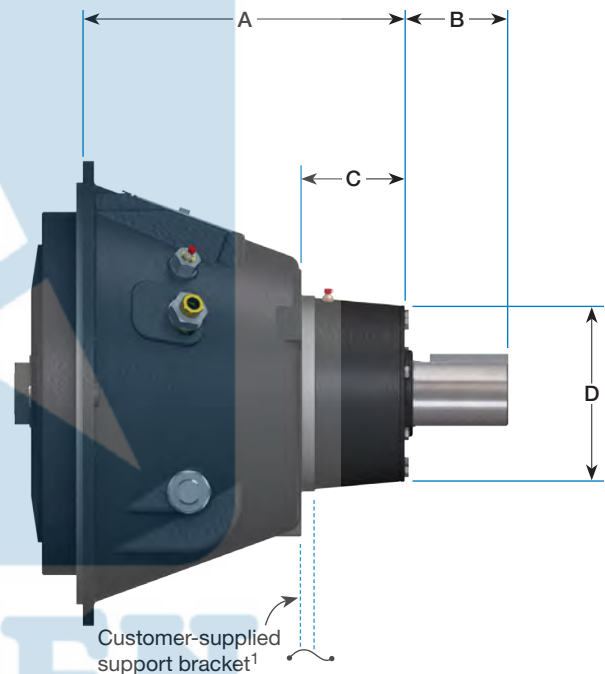
¹ Support plate for 311, 214, 314 is required for sideload applications and recommended for inline applications.

Pilotless™ Over-the-Shaft Power Take-Off



WPT Power's Pilotless™ Over-the-Shaft (OTS) Power Take-Off is engineered to meet the most demanding diesel engine applications. This design eliminates the pilot bearing while increasing side load capacity over competitive units. The OTS PTO is suitable for pneumatic or hydraulic actuation from the side of the housing and can be utilized for in-line or side load applications. The WPT Pilotless™ OTS Power Take-Off will increase uptime, engine life, and simplify installation time.

- Dual spherical roller main bearing design, increases side load capacity.
- Self-Adjusting clutch.
- No direct loading to engine crankshaft which increases life of engine main bearings.
- Time savings for assembly since no pilot bearing alignment required.
- For in-line or side load applications.
- Hydraulic or pneumatic actuation.
- Compatible with the Hydraulic Power Unit.



Model	SAE Housings	A	Output Shaft			C	D	Weight lb (kg)	# of Teeth
			B	Dia	Keyway				
OTS-PL 211	3, 2	12 9/16 (320.0)	4 1/16 (102.6)	2.500 (63.50)	5/8 x 5/16	4 1/4 (108.0)	6 3/4 (171.5)	218 (99)	72
OTS-PL 311¹	3, 2	15 3/4 (400.8)	8 (204.0)	3.500 (88.90)	7/8 x 7/16	3 11/16 (94.2)	7 3/4 (196.9)	343 (156)	72
OTS-PL 214¹	1, 0	16 3/16 (411.5)	7 1/2 (191.8)	3.500 (88.90)	7/8 x 7/16	4 5/16 (110.2)	7 3/4 (196.9)	407 (185)	59
OTS-PL 314¹	1, 0	17 1/16 (433.1)	7 1/2 (190.5)	3.938 (100.01)	1 x 1/2	3 7/8 (99.6)	8 1/4 (209.6)	470 (213)	59

¹ Support plate for 311, 214, 314 is required for sideload applications and recommended for inline applications.

Automotive-Style



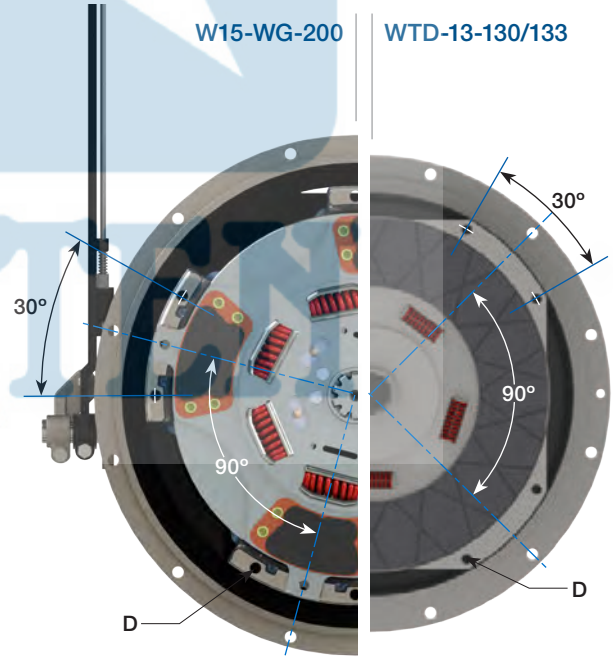
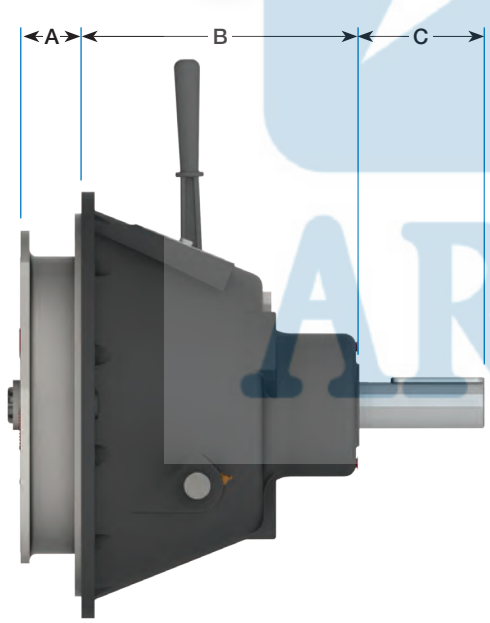
W15-WG-200



WTD-13-130/133

Loaded with features and virtually maintenance free, the automotive-style PTO is used with flat-faced flywheels in marine, industrial, construction, brush chipper and irrigation applications.

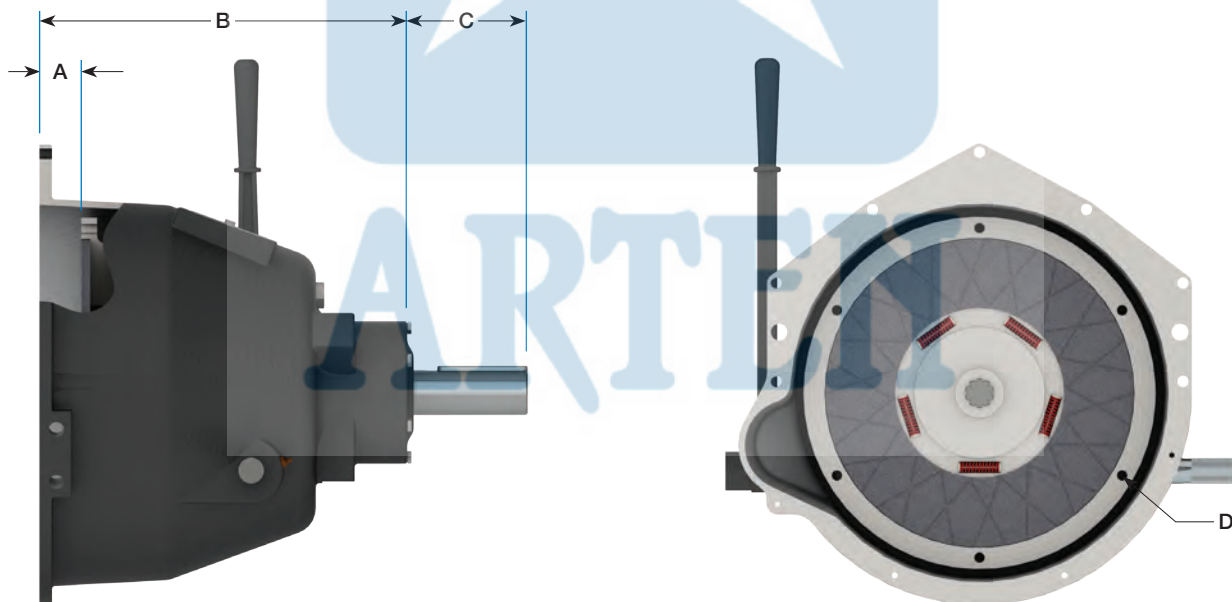
- The troublesome pilot bearing has been eliminated to reduce failures and downtime.
- Torsionally-dampened automotive-style spring-loaded clutch.
- Quick and easy external adjustments.
- The angular contact throwout bearing reduces heat buildup during long idle times.



Model	SAE Housings	A	B	Output Shaft			D Hole			Weight lb (kg)
				C	Dia	Keyway	Bolt Circle	Qty	Dia	
WTD-13-130	3	2.56 (65.1)	9 1/8 (231.8)	2 15/16 (74.6)	1.750 (44.45)	3/8 x 3/16	14.13 (358.8)	8	3/8 (9.5)	149 (68)
WTD-13-133				4 1/4 (108.0)						
W15-WG-200	1	2.53 (79.1)	13 3/16 (335.3)	4 1/4 (108.0)	2.500 (63.50)	5/8 x 5/16	16.63 (422.3)	8	1/2 (12)	190 (87)



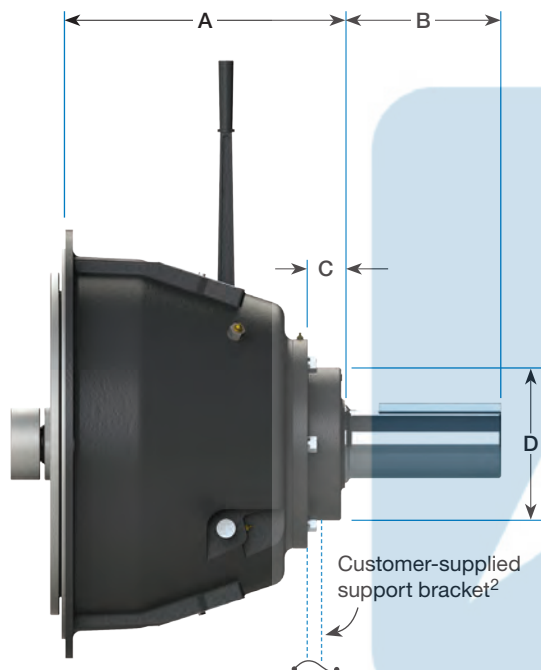
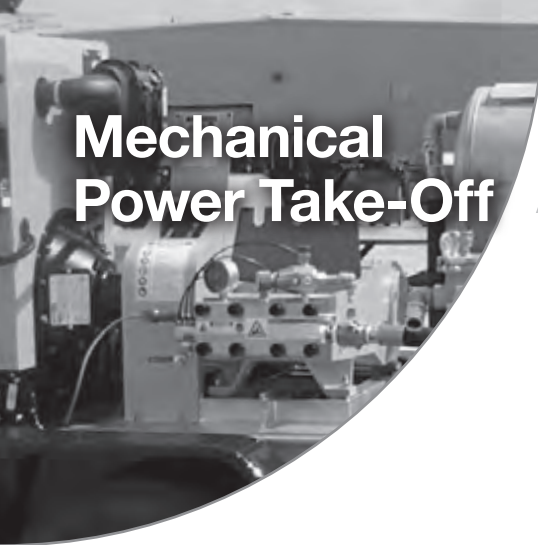
- GM®-style bellhousing mounts directly to 4.3, 5.7, 6.2, 7.4 & 8.1 liter engines.
- Solid ductile iron bellhousing is built for heavy-duty applications, keeping out weather and other contaminants.
- Heavy-duty adjustment ball screw with jam nut makes adjustments easy.
- Inline or sideload applications.
- Heavy-duty, precision components are made of steel and ductile iron.



GM® is a registered trademark of the General Motors Company

Model	A	B	Output Shaft			D Hole			Weight lb (kg)
			C	Dia	Keyway	Bolt Circle	Qty	Dia	
GM® Style	1.69 (42.9)	14 7/16 (366.7)	4 7/16 (112.7)	1.750 (44.45)	3/8 x 3/16	12.63 (320.7)	6	3/8 (9.5)	160 (73)
GM® Style HD	1.69 (42.9)	14 7/16 (366.7)	4 7/16 (112.7)	2.250 (57.15)	1/2 x 1/4	12.63 (320.7)	6	3/8 (9.5)	160 (73)

Mechanical Power Take-Off



The WPT® Mechanical Power Take-Off consists of a lever-actuated clutch with a shaft and bearings mounted in a rigid cast housing. The Mechanical PTO is designed for inline and sload applications on all internal combustion engines with standard SAE industrial flywheel/flywheel housing dimensions.

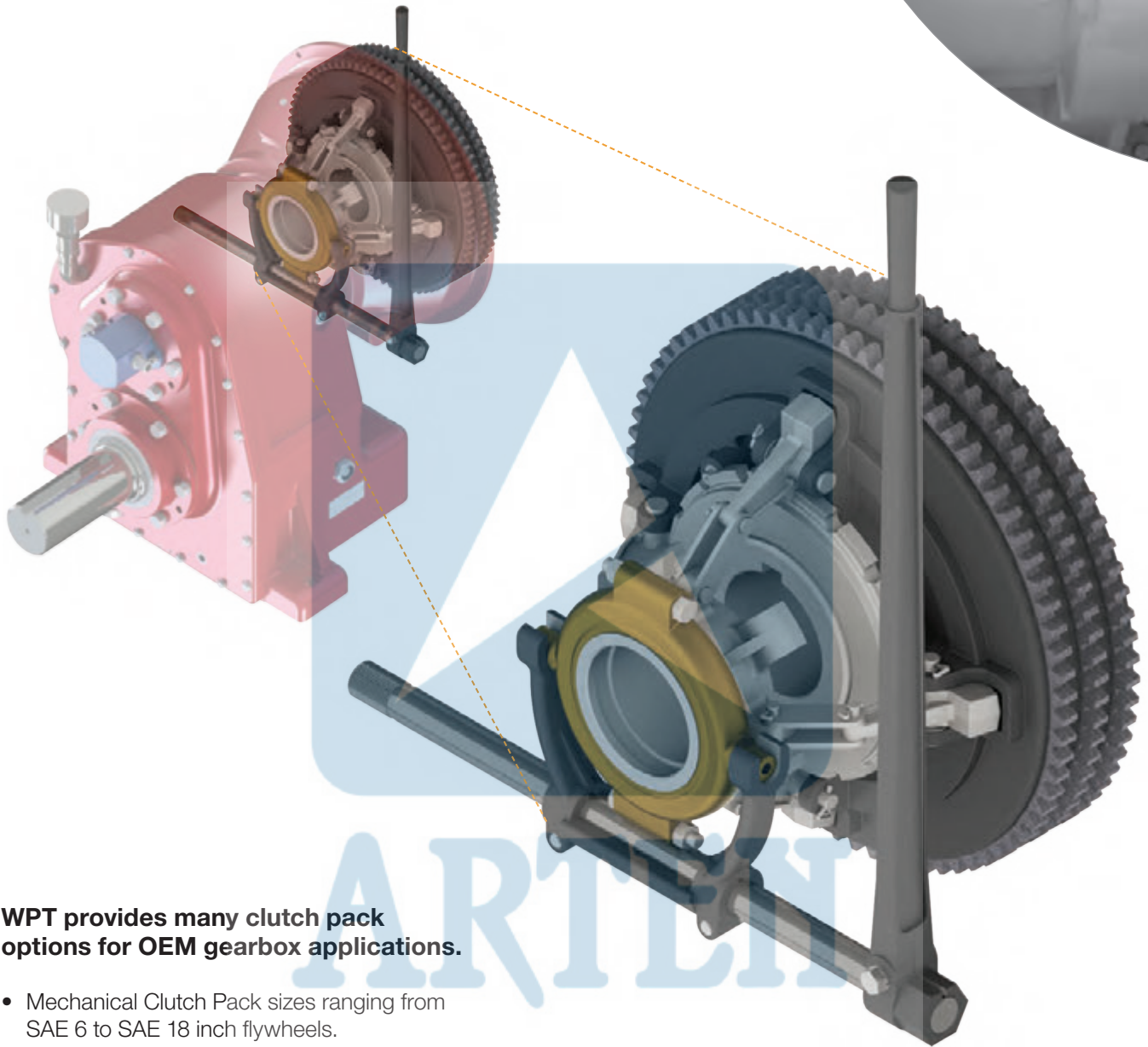
- Sealed-for-life pilot bearings eliminate lubrication problems.
- Ball bearing throwout collars are optional on 10", 11 1/2", 14" and 18". Standard on the 311 PTO.
- All drive rings are ductile (nodular) iron or steel.

Model	SAE Housings	A	Output Shaft			C	D	Weight lb (kg)	# of Teeth
			B	Dia	Keyway				
C106 ¹ C107 ¹	5, 4	7 1/8 (181.0)	3 1/2 (88.9)	1.438 (36.53)	3/8 x 3/16	2 1/8 (54.0)	4 5/8 (117.5)	65 (30)	42
C108	5, 4, 3	7 1/8 (181.0)	6 (152.4)	1.750 (44.45)	1/2 x 1/4	2 1/4 (57.2)	5 (127.0)	82 (37)	51
C110	4, 3	8 5/8 (219.1)	5 1/2 (139.7)	2.250 (57.15)	5/8 x 5/16	3 3/4 (95.3)	5 5/8 (142.9)	117 (53)	63
SP111	3, 2, 1	9 1/4 (235.0)	6 1/2 (165.1)	2.250 (57.15)	5/8 x 5/16	3 3/4 (95.3)	5 3/4 (146.1)	143 (65)	72
SP211	3, 2, 1	9 5/8 (244.5)	6 1/2 (165.1)	2.500 (63.50)	5/8 x 5/16	3 (76.2)	6 1/4 (158.8)	157 (71)	72
SP311 ²	3, 2	13 7/8 (352.4)	10 (254.0)	3.500 (88.90)	7/8 x 7/16	3 3/8 (85.7)	7 1/2 (190.5)	233 (106)	72
SP114	1	12 1/8 (308.0)	8 1/2 (215.9)	3.000 (76.20)	3/4 x 3/8	3 3/4 (95.3)	6 5/8 (168.3)	263 (119)	59
SP214 ²	1, 0	13 3/4 (349.3)	10 (254.0)	3.500 (88.90)	7/8 x 7/16	3 3/8 (85.7)	7 1/2 (190.5)	332 (151)	59
SP314 ²	1, 0	14 1/2 (368.3)	10 (254.0)	3.938 (100.01)	1 x 1/2	3 3/8 (85.7)	7 1/2 (190.5)	413 (187)	59
IBF314 ²	1, 0	16 3/4 (425.5)	10 (254.0)	3.938 (100.01)	1 x 1/2	3 5/8 (92.1)	12 1/2 (317.5)	595 (270)	59
SP318 ²	0	18 1/4 (463.6)	10 (254.0)	4.500 (114.30)	1 x 1/2	2 5/8 (66.7)	10 (254.0)	897 (407)	75

¹ Double main bearings

² Support plate for 311, 214, 314 is required for sload applications and recommended for inline applications. Support plate for 318 is required for both sload and inline applications.

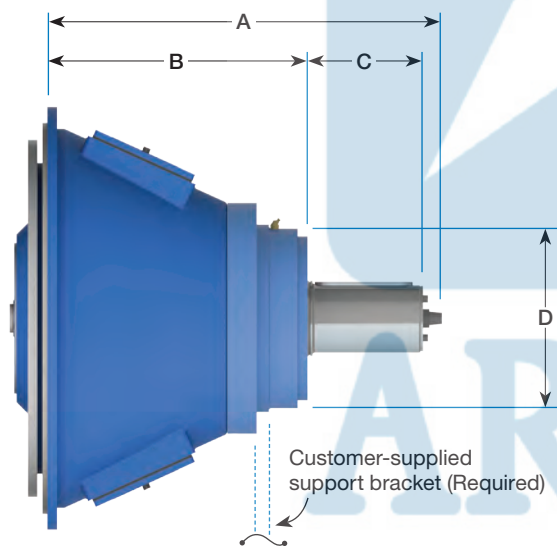
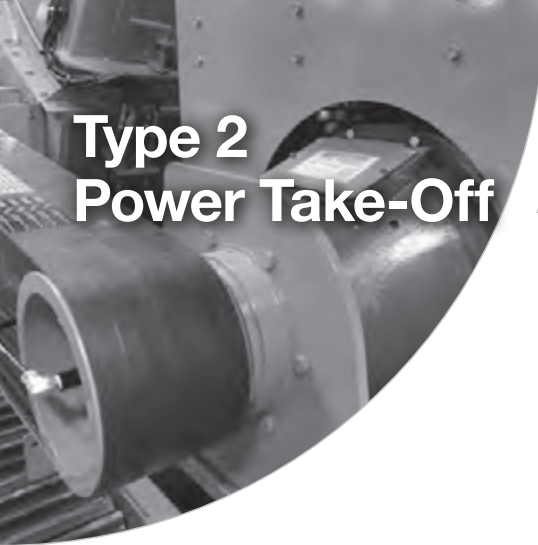
OEM Clutch Packs



WPT provides many clutch pack options for OEM gearbox applications.

- Mechanical Clutch Pack sizes ranging from SAE 6 to SAE 18 inch flywheels.
- Bellhousings from SAE #5 to SAE #0.
- Pneumatic and hydraulic clutch sizes ranging from SAE 10 to SAE 21 inch flywheels.
- Bell housing from SAE #3 to SAE #00.

Type 2 Power Take-Off



If you are looking for an innovative, high capacity power take-off, look no further than the WPT® Type 2.

With its versatile design, dry clutch and top-of-the-line spherical roller bearings, the Type 2 PTO has been field-proven in many sideload applications.

The benefits of the WPT Type 2 include the potential for remote engagement, self-adjusting clutch, with air or hydraulic actuation. Heavy-duty gear tooth friction discs are standard on 14" and 18" models. Bearings are lubricated with either grease or oil.

Customers needing maximum capacity in a small package will find the Type 2 an outstanding PTO for their applications.

Model	SAE Housings	A	B	Output Shaft			D
				C	Dia	Keyway	
211/311	3, 2	17 5/16 (439.6)	11 3/16 (284.2)	3 3/8 (85.7)	2.750 (69.85)	5/8 x 5/16	7 3/16 (182.6)
214/314H	1, 0	31 9/16 (801.7)	21 1/16 (535.0)	7 1/4 (184.2)	3.625 (92.08)	7/8 x 7/16	8 1/2 (215.9)
214 Compact	2, 1	20 7/16 (518.6)	20 7/16 (518.6)	5 1/2 (140.0)	2.756 (70.00)	20 mm x 6 mm	9 (228.6)
314H Compact	2, 1			5 11/16 (144.0)	3.542 (90.00)	25 mm x 10.7 mm	9 (228.6)
218	0	31 7/8 (810.3)	20 15/16 (531.5)	7 1/4 (184.2)	3.625 (92.08)	7/8 x 7/16	8 1/2 (215.9)
318	0	33 7/16 (849.3)	22 7/16 (569.2)	7 1/4 (184.2)	3.625 (92.08)	7/8 x 7/16	8 1/2 (215.9)

Flange output shafts available. Contact WPT Applications Engineering for assistance.

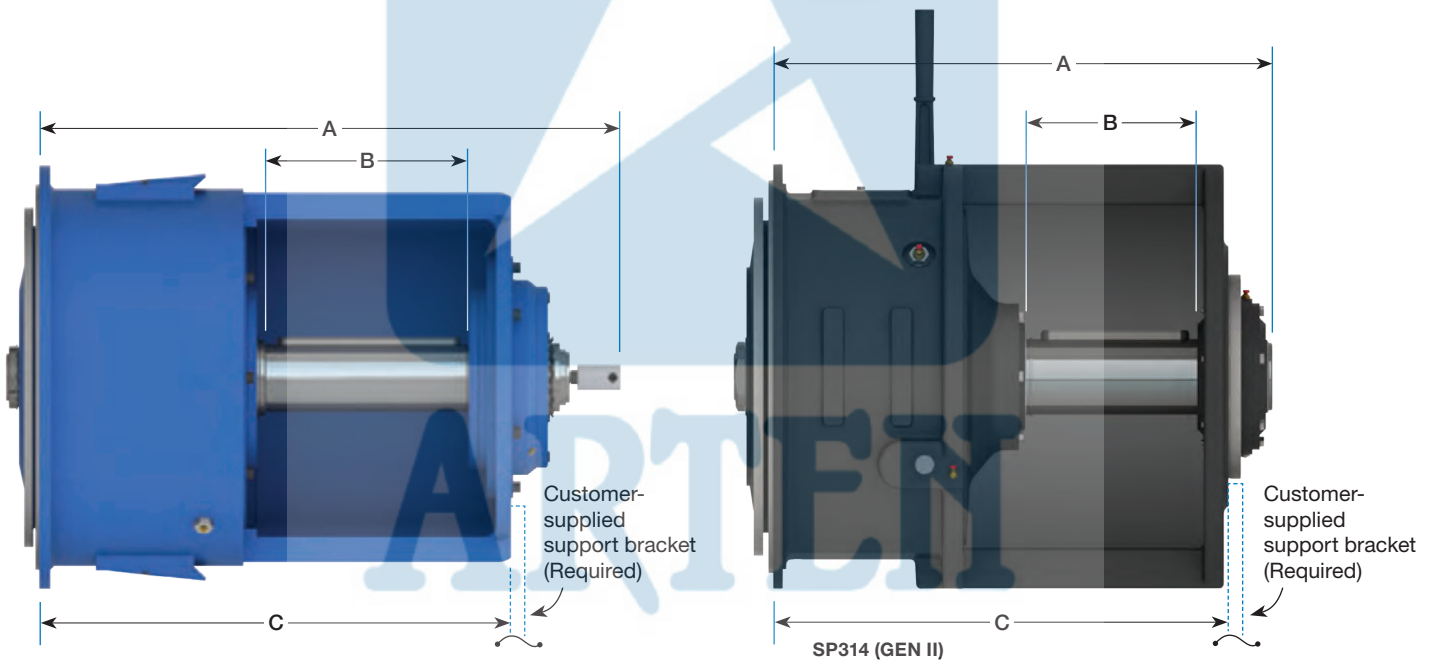
ARTEN Freios & Embreagens Ltda - Fone: 11 5594-8333 - www.arten.com.br - arten@arten.com.br

Type 1 Power Take-Off

The Type 1 PTO is one of the most rugged, highest capacity products available on the market today. With the sheave mounted between the bearings, these power take-offs are designed to attain the maximum potential of their massive spherical roller bearings.

Some benefits of the WPT® Type 1 include: Potential for remote engagement, self-adjusting clutch, air or hydraulic actuation, heavy-duty gear tooth friction discs and easy drive belt removal.

Gen II Type 1 PTO's make it possible to house mechanical, hydraulic or pneumatic clutch pack. In addition, the sheave housing is designed with internal and external pilots, vastly improving the quality and ease of field repairs while increasing uptime.



Model	SAE Housings	A	Output Shaft			C	Sheave (Customer Supplied)	
			B	Dia	Keyway		Max Dia	Max Width ¹
314H (GEN II)	1, 0	29 1/2 (749.3)	9 1/2 (241.3)	3.938 (100.00)	1 x 1/2	23 7/8 (606.4)	17 (431.8)	12 7/8 (327.0)
SP314 (GEN II)	1, 0	28 5/16 (718.6)	9 1/2 (241.3)	3.938 (100.00)	1 x 1/2	23 7/8 (606.4)	17 (431.8)	12 7/8 (327.0)
318	0	38 3/4 (984.3)	13 5/16 (338.1)	4.500 (114.30)	1 x 1/2	31 1/2 (800.1)	18 (457.2)	15 5/16 (388.9)
318/Ext Version	0	44 3/4 (1136.7)	19 5/16 (490.5)	4.500 (114.30)	1 x 1/2	37 1/2 (952.5)	18 (457.2)	21 3/8 (542.9)
321	00	44 5/8 (1133.5)	19 15/16 (506.4)	4.750 (120.65)	1 1/4 x 5/8	39 3/4 (1009.7)	23 (584.2)	22 (558.8)
321/Short Version	00	35 5/8 (904.9)	11 (279.4)	4.750 (120.65)	1 1/4 x 5/8	30 3/4 (781.1)	23 (584.2)	13 (330.2)
321/Ext Version	00	47 5/8 (1209.7)	23 (584.2)	4.750 (120.65)	1 1/4 x 5/8	42 3/4 (1085.9)	23 (584.2)	25 (635.0)

¹ Maximum sheave width varies with sheave diameter. Tabulated value is at the maximum sheave diameter.

Python™ Hydraulic Clutch Control

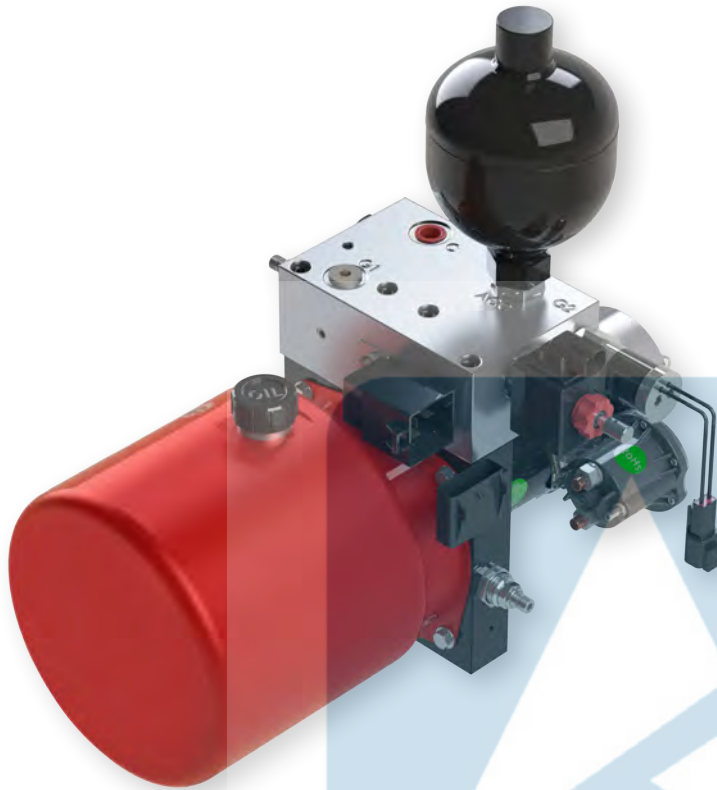


WPT Power's patented Python™ Hydraulic Clutch Control is the perfect product for any equipment with an engine that struggles during machine startup. With the push of a button, our Python™ will smoothly engage any WPT Type 1 and Type 2 Power Take-Off to accelerate the most demanding loads. It eliminates the need for bump starting heavy loads which can stall or damage the engine. This product was designed and tested alongside seasoned experts in the Off-Highway Equipment industry, and was specially engineered for applications with high inertia loads. WPT Power's patented Python™ is perfect for the OEM as well as the end user.

- Eliminates operator-related engagement abuse.
- Maximizes the clutch's wear component life.
- Optimizes clutch engagement for smooth operation.
- Can be easily integrated into OEM control systems.
- Designed & tested to operate in cold weather conditions.
- Self contained unit. No need for machine hydraulics.
- Compatible with SAE J1939 engine connections.
- Available in 12 or 24 volt.

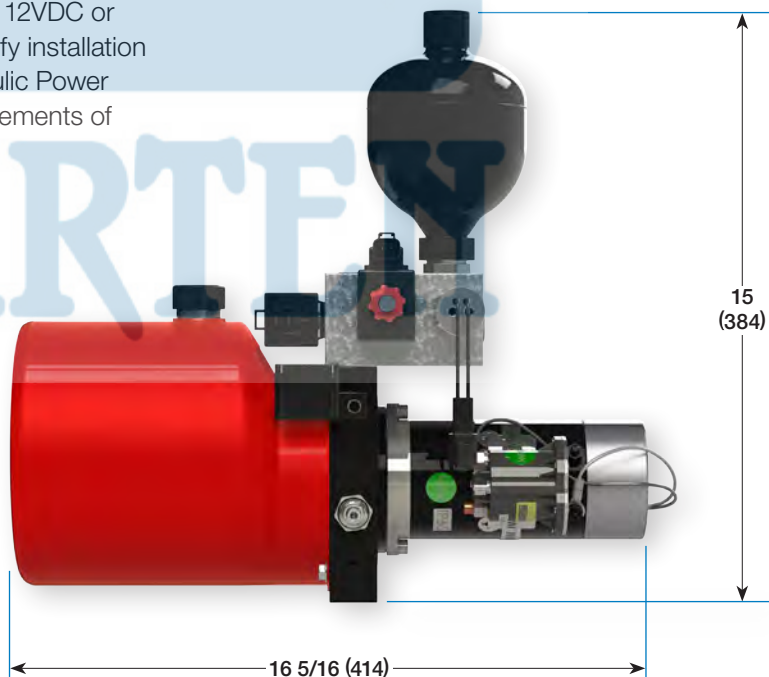
U.S. PATENT 9,026,331, OTHER PATENTS PENDING

Hydraulic Power Unit

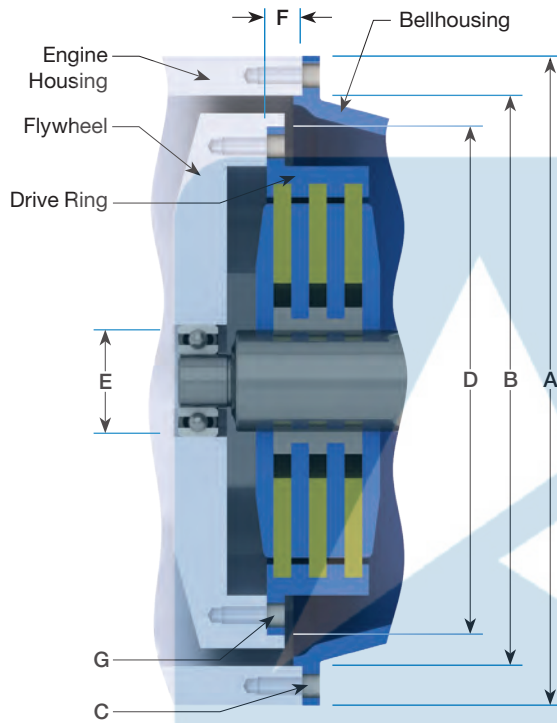


WPT's Power's self-contained Hydraulic Power Unit (HPU) is the ideal hydraulic power source to operate any WPT Hydraulic Power Take-Off. Available in 12VDC or 24VDC, the WPT HPU is designed to simplify installation and minimize maintenance. All WPT Hydraulic Power Packs are factory set to the pressure requirements of your PTO application.

- Large 0.8 gal (3L) tank
- Lockout/Tagout is easy with removable key
- Thermal Overload Protection as standard



PTO Product Selection Guide

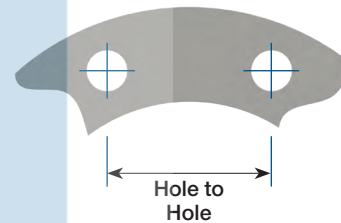


WPT SAE Housing Adapters Available

Part Number	From SAE Engine Housing	To SAE Bellhousing
WTD-00-000	2	4
WTD-00-001	1	2
WTD-00-002	1/2	1
WTD-00-003	0	1
WTD-00-004	00	0

WPT PTOs meet the mounting requirements of SAE J617 and SAE J620.

Dual or double-drilled flywheels may interfere with PTO. Contact WPT Applications Engineering for assistance on higher capacity or speed rating questions.



		Housing				
SAE Housing	A	B Pilot	C			Hole to Hole
			Bolt Circle	Qty	Dia	
6	12 1/8 (307.8)	10.500 (266.70)	11.25 (285.8)	8	13/32 (10.3)	4 1/4 (109.4)
5	14 (355.6)	12.375 (314.32)	13.13 (333.4)	8	13/32 (10.3)	5 (127.6)
4	15 7/8 (403.4)	14.250 (361.95)	15.00 (381.0)	12	13/32 (10.3)	3 7/8 (98.6)
3	17 3/4 (450.8)	16.125 (409.58)	16.88 (428.6)	12	13/32 (10.3)	4 5/16 (110.9)
2	19 1/4 (489.0)	17.625 (447.68)	18.38 (466.7)	12	13/32 (10.3)	4 3/4 (120.8)
1	21 3/4 (552.4)	20.125 (511.18)	20.88 (530.2)	12	15/32 (11.9)	5 3/8 (137.2)
1/2	25 1/2 (647.7)	23.000 (584.20)	24.38 (619.1)	12	17/32 (11.5)	6 1/4 (160.2)
0	28 (711.2)	25.500 (647.70)	26.75 (679.5)	16	17/32 (11.5)	5 3/16 (132.6)
00	34 3/4 (882.6)	31.000 (787.40)	33.50 (850.9)	16	17/32 (11.5)	6 1/2 (166.0)

		Flywheel					
WPT Clutch Size	D Pilot	E (mm)	F	G			
				Bolt Circle	Qty	Dia	Hole to Hole
6"	8.500 (215.90)	52	1 3/16 (30.2)	7.88 (200.0)	6	21/64 (8.3)	3 15/16 (100.0)
7"	9.500 (241.30)	52	1 3/16 (30.2)	8.75 (222.3)	8	21/64 (8.3)	3 5/16 (85.1)
8"	10.375 (263.52)	62	2 7/16 (62.0)	9.63 (244.5)	6	13/32 (10.3)	4 3/4 (122.2)
10"	12.375 (314.32)	62	2 1/8 (53.8)	11.63 (295.3)	8	13/32 (10.3)	4 7/16 (113.0)
11"	13.875 (352.42)	62 72 80	1 9/16 (39.6)	13.13 (333.4)	8	13/32 (10.3)	5 (127.6)
14"	18.375 (466.72)	72 80 100	1 (25.4)	17.25 (438.2)	8	17/32 (13.5)	6 9/16 (167.7)
18"	22.500 (571.50)	100 120	5/8 (15.7)	21.38 (542.9)	6	21/32 (16.7)	10 11/16 (271.5)
21"	26.500 (673.10)	-	0 (0)	25.25 (641.4)	12	21/32 (16.7)	6 1/2 (166.0)

PTO Product Selection Guide

Step One

Application Service Factor Selection Guide			Service Factor (SF)			
	Duty Service Classification	Typical Applications	Single Cylinder Engine		Multi-Cylinder Engine	
			Up to 10 Hours/Day	Over 10 Hours/Day	Up to 10 Hours/Day	Over 10 Hours/Day
Uniform	Light loads with minimal slip	Centrifugal blowers, compressors, fans, rotary pumps	1.5	1.75	1.25	1.5
Moderate	Medium loads with maximum 3 second slip at engagement	Cone crushers, wood chippers, mine fans, reciprocating pumps, road milling machines and planers	2	2.25	1.75	2
Severe	Heavy loads requiring bump start sequence for engagement	Jaw crushers, tub grinders, dredge/mud pumps, hammer mills, reciprocating compressors, waste recyclers	2.25	2.5	2	2.25

Step Two

Maximum Input Torque	$T = \frac{\text{hp} \times \text{SF}}{\text{r/min}} \times 5,252 = \text{_____} \text{ lbf-ft}$ $T = \frac{\text{kW} \times \text{SF}}{\text{r/min}} \times 9,549 = \text{_____} \text{ N-m}$ $T = \text{Engine Torque [lbf-ft (N-m)]} \times \text{SF}$	Conversions		
		Multiply	By	To Obtain
		lbf-ft	1.356	N-m
		hp	0.746	kW
		lbf	0.454	kgf
		kg	9.807	N

Step Three

For in-line applications skip to Step Four.

Sideload	$L = \frac{\text{hp} \times F \times \text{SF}}{\text{r/min} \times D \text{ (in)}} \times 126,000 = \text{_____} \text{ lbf}$ $L = \frac{\text{kW} \times F \times \text{SF}}{\text{r/min} \times D \text{ (mm)}} \times 1,947,000 = \text{_____} \text{ kgf}$	L = Actual Applied sideload D = Sheave or Sprocket Diameter F = Load Factor 1.0 for Chain Drive or Gear Belt 1.5 for Timing Belts 2.2 for All V-belts
----------	---	---

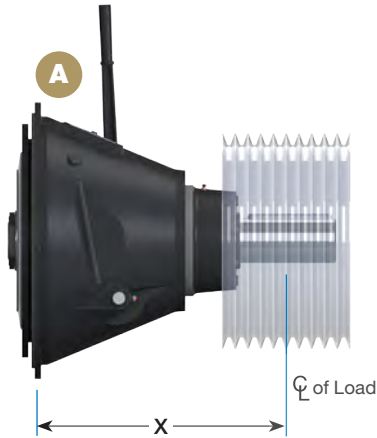
Step Four

See Pages 14 and 15 for PTO Maximum Input Torque, r/min and Sideload ratings.

Additional Notes:

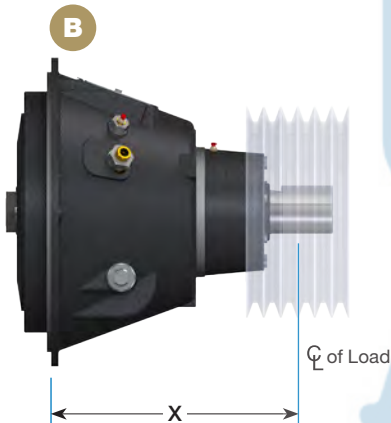
Power Take-Off calculations are for reference only. For full warranty consideration, a data sheet must be turned into WPT Power and complete review performed by WPT Power Applications Engineering.

Pilotless™/OTS/Automotive Performance Ratings



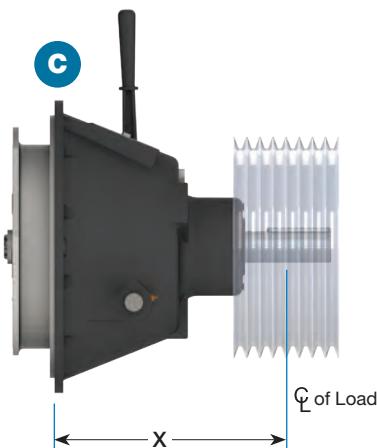
A Pilotless™ Mechanical

Model	r/min	"X" Distance Inches (mm) · Allowable Sideload ¹ lbf (kgf)				Maximum Input Torque ¹ lbf-ft (N-m)	Maximum Speed ¹ r/min
		"X"	Sideload	"X"	Sideload		
WPL 106	1800	10	1,610 (730)	11	1,360 (610)	171 (232)	3500
	2500	(254)	1,610 (730)	(279)	1,360 (610)		
	3500		1,540 (700)		1,290 (590)		
WPL 107	1800	10	1,610 (730)	11	1,360 (610)	191 (259)	3200
	2500	(254)	1,610 (730)	(279)	1,360 (610)		
	3200		1,580 (720)		1,330 (600)		
WPL 108	2100	11	1,900 (860)	13	1,250 (570)	248 (336)	3100
	2400	(279)	1,900 (860)	(330)	1,250 (560)		
	3100		1,710 (780)		1,130 (510)		
WPL 110	2100	12	2,370 (1070)	14	1,810 (820)	354 (481)	2800
	2300	(305)	2,310 (1050)	(356)	1,780 (810)		
	2500		2,250 (1020)		1,740 (790)		
WPL 111	2100	13	3,100 (1410)	15	2,410 (1090)	487 (660)	2500
	2300	(330)	3,020 (1370)	(381)	2,350 (1060)		
	2500		2,940 (1340)		2,290 (1040)		
WPL 211	2100	14	4,750 (2160)	16	3,690 (1670)	974 (1321)	2500
	2300	(356)	4,630 (2100)	(406)	3,590 (1630)		
	2500		4,510 (2050)		3,500 (1590)		
WPL 311	2100	19	3,670 (1660)	23	2,500 (1130)	1746 (2367)	2500
	2300	(483)	3,570 (1620)	(584)	2,430 (1100)		
	2500		3,480 (1580)		2,370 (1080)		
WPL 114	1800	16	3,150 (1430)	18	2,490 (1130)	862 (1169)	2300
	2100	(406)	3,000 (1360)	(457)	2,380 (1080)		
	2300		2,920 (1330)		2,310 (1050)		
WPL 214	1800	20	3,890 (1770)	24	2,760 (1250)	1724 (2337)	2300
	2100	(508)	3,720 (1690)	(610)	2,640 (1200)		
	2300		3,620 (1640)		2,570 (1160)		
WPL 314	1800	22	4,040 (1830)	24	3,420 (1550)	2586 (3506)	2300
	2100	(559)	3,850 (1750)	(610)	3,270 (1480)		
	2300		3,750 (1700)		3,180 (1440)		



B Pilotless™ Over-the-Shaft

Model	"X" Distance Inches (mm) Allowable Sideload ¹ lbf (kgf)			Maximum Input Torque lbf-ft (N-m) at 100 lbf/in ² [7 bar]	Maximum Input Torque ¹ lbf-ft (N-m) at 200 lbf/in ² [14 bar]	Maximum Speed ¹ r/min
	r/min	"X"	Sideload			
OTS-PL 211	2100	14	4,750 (2160)	810 (1100)	1770 (2400)	2500
	2300	(356)	4,630 (2100)			
	2500		4,510 (2050)			
OTS-PL 311	2100	19	3,670 (1660)	1250 (1700)	2580 (3500)	2500
	2300	(483)	3,570 (1620)			
	2500		3,480 (1580)			
OTS-PL 214	1800	20	3,890 (1770)	740 (1000)	1860 (2525)	2300
	2100	(508)	3,720 (1690)			
	2300		3,620 (1640)			
OTS-PL 314	1800	22	4,040 (1830)	1360 (1500)	2780 (3770)	2300
	2100	(559)	3,850 (1750)			
	2300		3,750 (1700)			



C Automotive

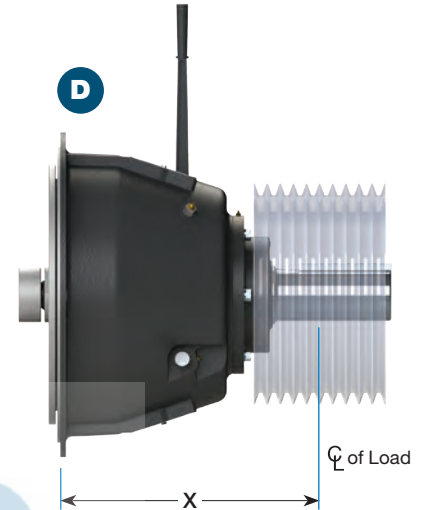
Model	r/min	"X" Distance Inches (mm) · Allowable Sideload ¹ lbf (kgf)				Maximum Input Torque ¹ lbf-ft (N-m)	Maximum Speed ¹ r/min
		"X"	Sideload	"X"	Sideload		
WTD-13-130	2000	10	1,000 (500)	13	700 (300)	412 (560)	3500
	3000	(254)	900 (400)	(330)	600 (300)		
WTD-13-133	2000	10	2,600 (1200)	13	1,700 (800)	412 (560)	3000
	3000	(254)	2,300 (1000)	(330)	1,500 (700)		
W15-WG-200	2000	10	1,000 (500)	13	500 (200)	1650 (2200)	2100
	3000	(254)	900 (400)	(330)	400 (200)		
GM® Style	2000	15	1,000 (500)	18	700 (300)	386 (523)	3400
	3000	(381)	900 (400)	(457)	600 (300)		
GM® Style HD	2000	15	2,900 (1300)	18	2,000 (900)	386 (523)	3400
	3000	(381)	2,900 (1300)	(457)	2,000 (900)		

¹ Contact WPT Applications Engineering for assistance on higher capacity or speed rating questions.

Mechanical/Type 1/Type 2 Performance Ratings

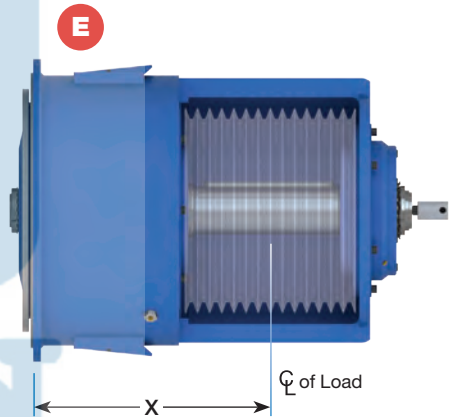
D Mechanical

"X" Distance Inches (mm) · Allowable Sideload ¹ lbf (kgf)						Maximum Input Torque ¹ lbf-ft (N-m)	Maximum Speed ¹ r/min
Model	r/min	"X"	Sideload	"X"	Sideload		
C106	1800	8	600 (300)	9	500 (200)	171 (232)	3500
C107	3500	(203)	500 (200)	(229)	400 (200)	191 (259)	3200
(Double Main Bearings)							
C106	1800	9	1,000 (400)	10	800 (400)	171 (232)	3500
C107	3200	(229)	800 (400)	(254)	600 (300)	191 (259)	3200
C108	1800	10	1,300 (600)	12	900 (400)	248 (336)	3100
	3100	(254)	1,100 (500)	(305)	800 (400)		
C110	1800	12	2,000 (900)	14	1,400 (600)	354 (481)	2800
	2800	(305)	1,700 (800)	(356)	1,200 (600)		
SP111	1800	12	2,100 (1000)	14	1,500 (700)	487 (660)	2500
	2500	(305)	1,900 (900)	(356)	1,300 (600)		
SP211	1800	13	2,100 (900)	15	1,500 (700)	974 (1321)	2500
	2500	(330)	1,900 (800)	(381)	1,300 (600)		
SP311	1800	18	2,000 (900)	22	1,300 (300)	1746 (2367)	2300
	2300	(457)	1,900 (900)	(559)	1,200 (500)		
SP114	1800	16	2,000 (900)	22	1,200 (500)	862 (1169)	2300
	2300	(406)	2,200 (1000)	(508)	1,400 (600)		
SP214	1800	18	2,900 (1300)	20	1,200 (500)	1724 (2337)	2300
	2300	(457)	2,300 (1000)	(559)	1,400 (700)		
SP314 (80 mm PB)	1800	19	2,700 (1200)	23	1,700 (800)	2586 (3506)	2300
	2300	(483)	2,500 (1100)	(584)	1,500 (700)		
SP314 (100mm PB)	1800	19	3,800 (1700)	23	2,500 (1100)	2586 (3506)	2300
	2800	(483)	3,800 (1700)	(584)	2,400 (1100)		
IBF314	1800	22	5,500 (2500)	27	4,600 (2100)	2586 (3506)	2300
	2300	(559)	6,000 (2700)	(686)	5,000 (2300)		
SP318	1800	23	6,020 (2730)	27	3,910 (1770)	6465 (8765)	2100
	2100	(584)	6,340 (2880)	(686)	4,110 (1860)		



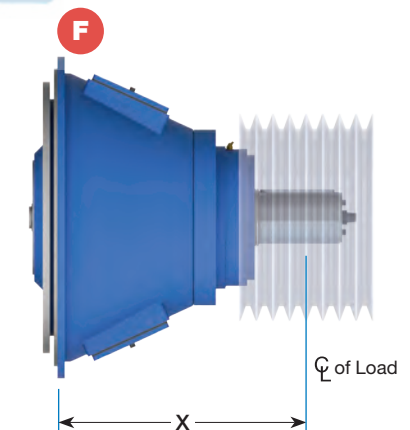
E Type 1

"X" Distance Inches (mm) · Allowable Sideload ¹ lbf (kgf)						Maximum Input Torque ¹ lbf-ft (N-m)	Maximum Speed ¹ r/min
Model	RPM	"X"	Sideload	"X"	Sideload		
314H (GEN II)	1800	17	15,100 (6900)	19	12,400 (5600)	3,800 (5100)	2300
SP314 (GEN II)	2300	(432)	14,100 (6400)	(483)	11,500 (5200)		
318	1800	22	28,300 (12800)	26	21,700 (9900)	7,100 (9600)	2100
	2100	(559)	27,000 (12300)	(660)	19,800 (9000)		
321	1200	28	31,700 (14400)	32	24,400 (11100)	13,500 (18300)	1800
	1800	(711)	28,800 (13100)	(813)	22,200 (10100)		



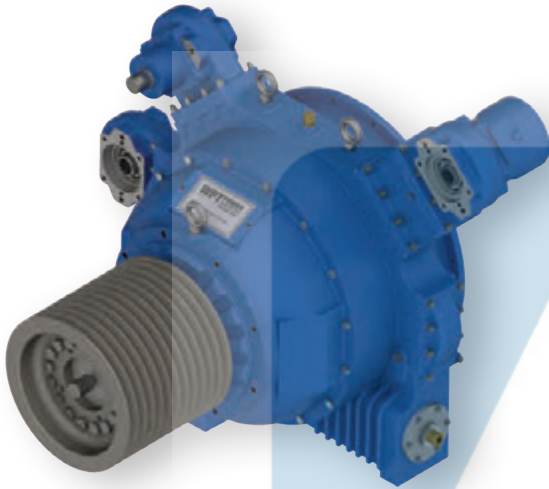
F Type 2

"X" Distance Inches (mm) · Allowable Sideload ¹ lbf (kgf)						Maximum Input Torque ¹ lbf-ft (N-m)	Maximum Speed ¹ r/min
Model	r/min	"X"	Sideload	"X"	Sideload		
211	2100	12	3,500 (1600)	15	2,400 (1100)	1,300 (1800)	2500
	2500	(305)	3,300 (1500)	(381)	2,300 (1000)		
311	2100	12	3,500 (1600)	15	2,400 (1100)	1,900 (2600)	2500
	2500	(305)	3,300 (1500)	(381)	2,300 (1000)		
214H Compact	1800	16	5,300 (2400)	19	3,800 (1700)	2,500 (3400)	2300
	2300	(406)	5,300 (2400)	(483)	3,500 (1600)		
214H	1800	23	8,000 (3600)	29	5,500 (2500)	2,500 (3400)	2300
	2300	(584)	7,600 (3500)	(737)	5,300 (2400)		
314H Compact	1800	16	5,300 (2400)	19	3,800 (1700)	3,800 (5100)	2300
	2300	(406)	5,300 (2400)	(483)	3,500 (1600)		
314H	1800	23	8,000 (3600)	29	5,500 (2500)	3,800 (5100)	2300
	2300	(584)	7,600 (3500)	(737)	5,300 (2400)		
218	1800	23	8,000 (3600)	29	5,500 (2500)	4,700 (6400)	2100
	2300	(584)	7,600 (3500)	(737)	5,300 (2400)		
318	1800	23	8,000 (3600)	29	5,500 (2500)	7,100 (9600)	2100
	2300	(584)	7,600 (3500)	(737)	5,300 (2400)		
318 Heavy Duty	1800	17	16,600 (7500)	20	12,000 (5400)	7,100 (9600)	2100
	2100	(432)	15,800 (7200)	(508)	11,500 (5200)		



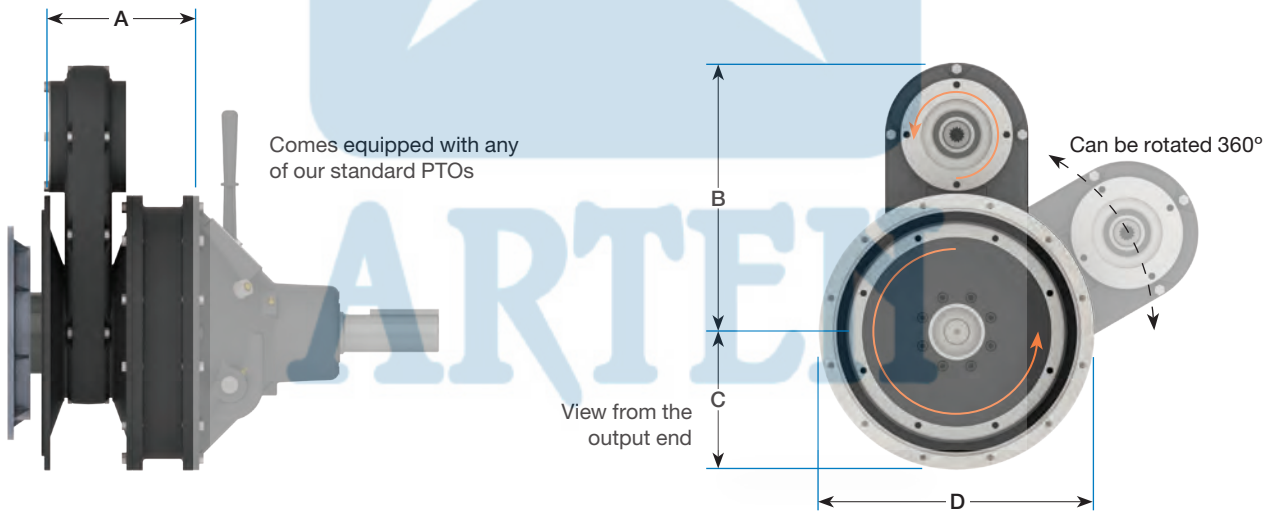
¹ Contact WPT Applications Engineering for assistance on higher capacity or speed rating questions.

Pump Drive



Mounted between the power take-off and the engine, the WPT® Power Pump Drive (PPD) is a rugged and versatile unit providing for multiple live or clutched pumps. As the PPD is self-contained, no external lubrication is required. Flexible couplings on the input side dampen torsional vibrations and are standard on all WPT PPDs.

The Power Pump Drive can be provided with a variety of SAE engine housings, power take-off clutches, SAE pump drives and accessories. All units mount to standard SAE flywheel housings and provide up to 8 pump mounting faces. An internal heat exchanger can be added as required.



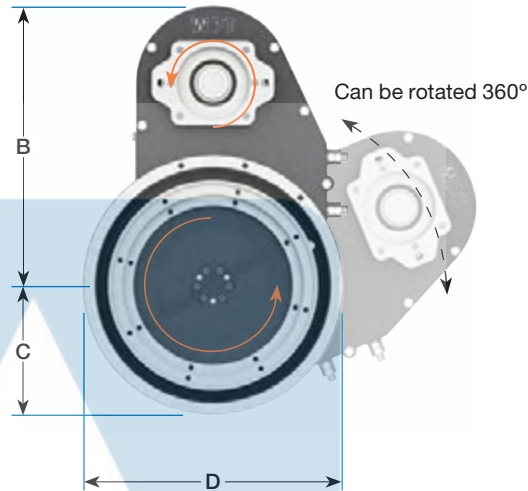
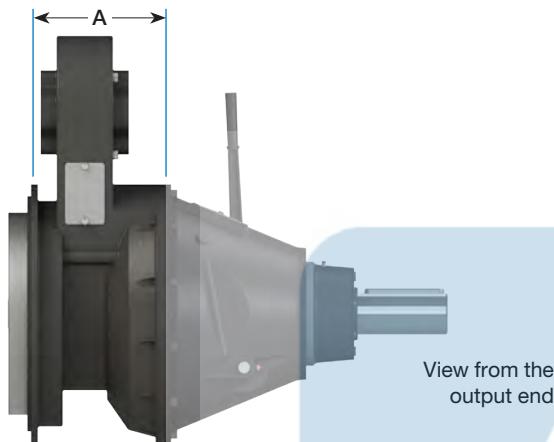
Comes equipped with any of our standard PTOs

View from the output end

WPD-03						Maximum Input Speed r/min	Maximum Input Torque lbf-ft (N·m)	Head hp (kW) ¹	Head Ratio	Weight lb (kg)
SAE Input	SAE Output	A	B	C	D					
#5 - 7 1/2"				7 (178.0)		3000	230 (310)	58 (43)	1 : 1	110 (50)
#4 - 10"	#4M - 10"	8 5/8 (218.5)	15 1/2 (393.0)	7 15/16 (202.0)	15 7/8 (404.0)		413 (560)			
#3 - 11 1/2"				8 7/8 (225.5)			413 (560)			

Available in SAE B

¹ Rated at maximum input speed.

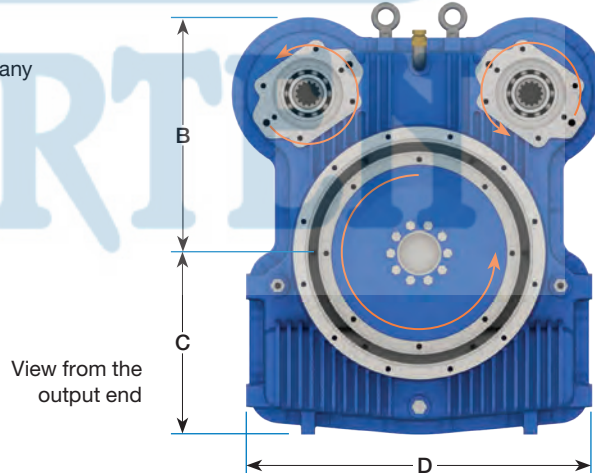
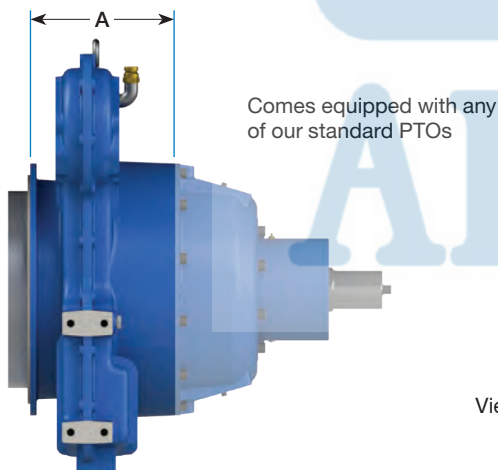


WPD-03 HD

SAE Input	SAE Output	A	B	C	D	Maximum Input Speed r/min	Maximum Input Torque lbf-ft (N-m)	Head hp (kW) ¹	Head Ratio	Weight lb (kg)
#3 - 1 1/2"	#3M - 1 1/2"	9 1/4 (235.0)	19 (483.9)	8 7/8 (225.5)	17 3/4 (450.9)	2500	1475 (2000)	210 (157)	1 : 1	260 (117)

Available in SAE B, B-B, C, D, E (spline only)

¹ Rated at maximum input speed.



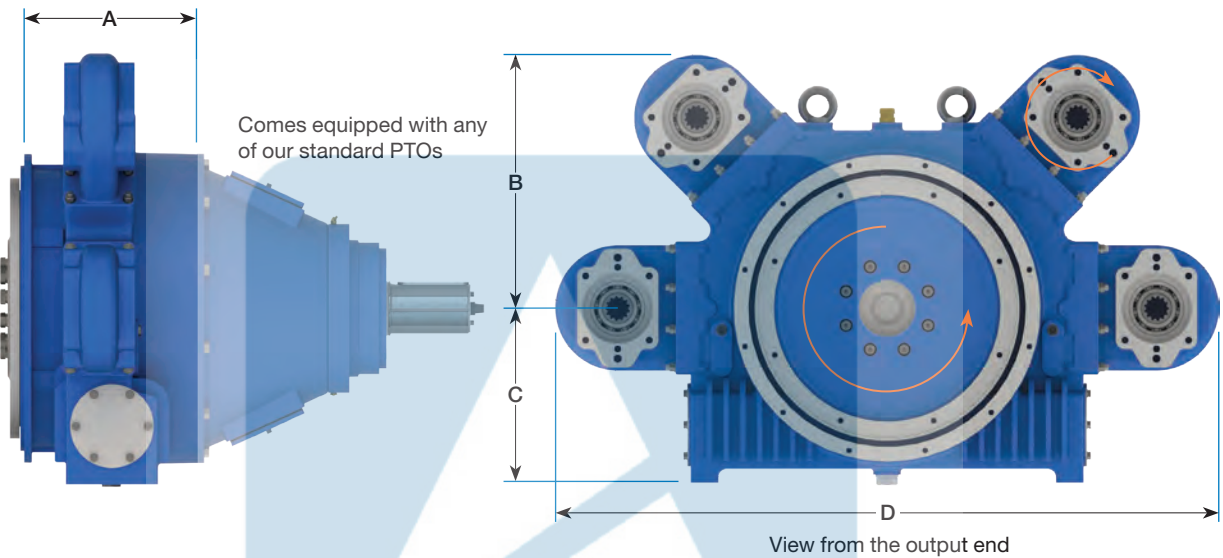
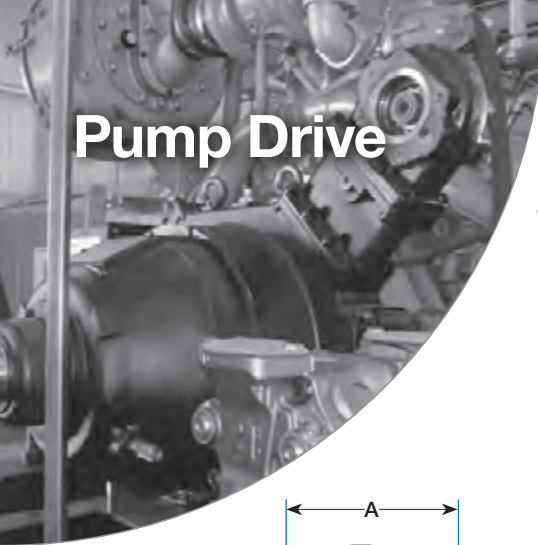
WPD-00

SAE Input	SAE Output	A	B	C	D	Maximum Input Speed r/min	Maximum Input Torque lbf-ft (N-m)	Total Head hp (kW) ¹	Single Head hp (kW) ¹	Head Ratio	Weight lb (kg)
#3, #2 - 1 1/2"	#3M - 1 1/2"	10 1/8 (257.0)	16 5/8 (422.0)	12 13/16 (325.0)	24 7/16 (620.0)	2600	1475 (2000)	235 (175)	160 (120)	1 : 1	430 (195)
#1 - 14"		11 1/8 (282.0)									

Available in SAE B, B-B, C, D, E (spline only)

¹ Rated at maximum input speed.

Pump Drive



WPD-01						Maximum Input Speed r/min	Maximum Input Torque lbf-ft (N-m)	Total Head hp (kW) ¹	Single Head hp (kW) ¹	Head Ratio ²	Weight lb (kg)
SAE Input	SAE Output	A	B	C	D						
#1 - 14"	#1M - 14"	12 3/16 (310.0)	18 (456.5)	12 7/16 (315.0)	47 1/8 (1197.0)	2200	2470 (3350)	400 (300)	160 (120)	1 : 1 1 : 0.88	770 (350)

Available in SAE B, B-B, C, D, E (spline only)

¹ Rated at maximum input speed.

² Head ratios other than 1:1 are speed increasing

WPD-02						Maximum Input Speed r/min	Maximum Input Torque lbf-ft (N-m)	Total Head hp (kW) ¹	Single Head hp (kW) ¹	Head Ratio ²	Weight lb (kg)
SAE Input	SAE Output	A	B	C	D						
#1 - 14"	#0M - 18"	14 3/4 (374.0)	19 3/4 (502.0)	16 3/8 (415.0)	52 3/16 (1326.0)	2100	4650 (6300)	535 (400)	235 (175)	1 : 0.95	1170 (530)
#0 - 18"		14 5/16 (363.0)									

Available in SAE B, B-B, C, D, E (spline only)

¹ Rated at maximum input speed.

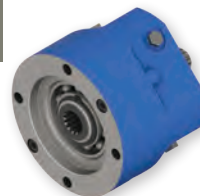
² Head ratios other than 1:1 are speed increasing

Optional Accessories

Head PTO



Oil Actuated Clutch



Head Extension



Pump Drive Product Selection Guide

► Step One

Maximum Input Torque

$$T = \frac{\text{hp}}{\text{r/min}} \times 5,252 = \text{_____ lbf-ft}$$

$$T = \frac{\text{kW}}{\text{r/min}} \times 9,549 = \text{_____ N-m}$$

$$T = \text{Engine Torque [lbf-ft (N-m)]} \times \text{SF}$$

Conversions		
Multiply	By	To Obtain
lbf-ft	1.356	N-m
hp	0.746	kW
lbf	0.454	kgf
kg	9.807	N

► Step Two

Hydraulic Pump Service Factor Guide

Pump Type	Service Factor (SF)
Piston Plunger	1.8
Vane Gear	1.5
Centrifugal	1.0

► Step Three

$$\text{Single Head N}^{\circ} 1^1 = P_1 \times \text{SF}_1 \times \text{PU}_1 + P_2 \times \text{SF}_2 \times \text{PU}_2 + \dots + P_n \times \text{SF}_n \times \text{PU}_n$$

$$\text{Single Head N}^{\circ} 2^1 = P_1 \times \text{SF}_1 \times \text{PU}_1 + P_2 \times \text{SF}_2 \times \text{PU}_2 + \dots + P_n \times \text{SF}_n \times \text{PU}_n$$

$$\text{Single Head N}^{\circ} 3^1 = P_1 \times \text{SF}_1 \times \text{PU}_1 + P_2 \times \text{SF}_2 \times \text{PU}_2 + \dots + P_n \times \text{SF}_n \times \text{PU}_n$$

$$\text{Single Head N}^{\circ} 4^1 = P_1 \times \text{SF}_1 \times \text{PU}_1 + P_2 \times \text{SF}_2 \times \text{PU}_2 + \dots + P_n \times \text{SF}_n \times \text{PU}_n$$

$$\text{Total Head}^1 = \text{Sum of All Heads from Step 3}$$

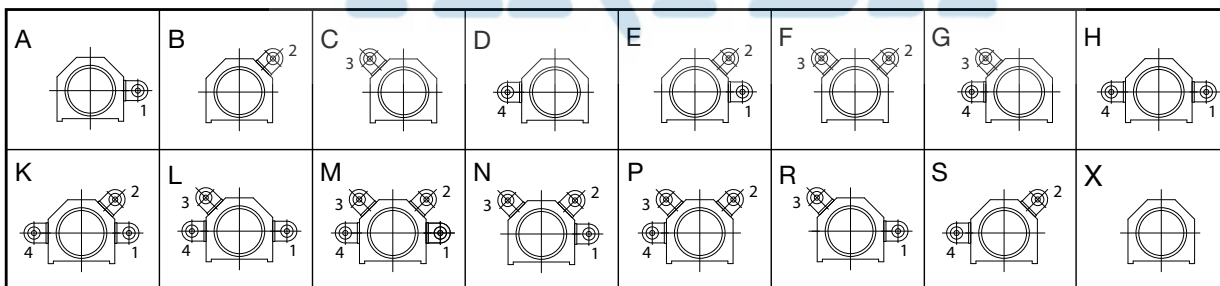
Definitions:

- P** = Hydraulic Pump Absorbed Power
- SF** = Pump Service Factor
- PU** = Percent of Power Used by Pump
- n** = Number of Pumps on Head

Note 1: Single and Total Head calculations may exceed rating for Pump Drive depending on duty cycles or pump modes. Please contact WPT Power Applications Engineering for details.

► Step Four For WPD-01 and WPD-02 only!

View from Y side



► Step Five See Pages 16, 17, 18 for Pump Drive Maximum Input Torque, r/min, and Head Ratings.

Additional Notes:

Power Pump Drive calculations are for reference only. For full warranty consideration, a data sheet must be turned into WPT Power and complete review performed by WPT Power Applications Engineering.

Power Pump Drive models WPD-01 and WPD-02 may require Cooling Package and Circulation Kit. Please contact WPT Power Applications Engineering for details.

Custom Units

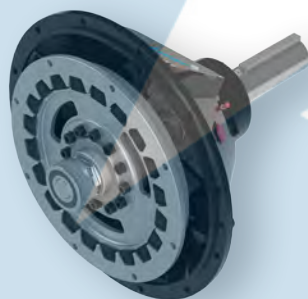


► WTD-11-23J



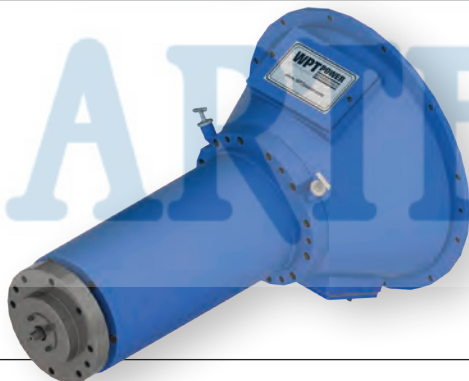
Designed for very high tension and torque applications, this heavy-duty PTO will carry close to 3 times the belt tension of comparably sized PTOs.

► WRB-11-130



The WPT Rubber Block Drive PTO is the perfect solution for customers needing a simple means of driving their equipment, with the least possible amount of design complexity. It is rated for both side-load and inline applications, and is a drop-in replacement for pilot bearing mechanical PTO's.

► W15-CG-325



Designed for proper sheave location while still having the capacity for very high belt tension.

► W10-CG-101



The WPT Hydro-Mechanical PTO was designed for side-load applications, where a customer needs hydraulic engagement in a mechanical PTO sized package. This PTO requires no adjustment for the life of the product. It also replaces competitive thrust-bearing design PTO's requiring precision pressure control, by using a high-reliability low-maintenance clutch, pressure insensitive actuator, and rotating union.

Application Photos



Trailer Mounted Water Blaster

WPT 11" Mechanical Power Take-Off.



Track Mounted Brush Chipper

WPT Single Head Pump Drive with 10" Pilotless™ Mechanical Power Take-Off.



Self Contained Loader Mount Snow Blower

WPT 14" Mechanical Power Take-Off or 14" Power Grip PO Pneumatic Clutch.



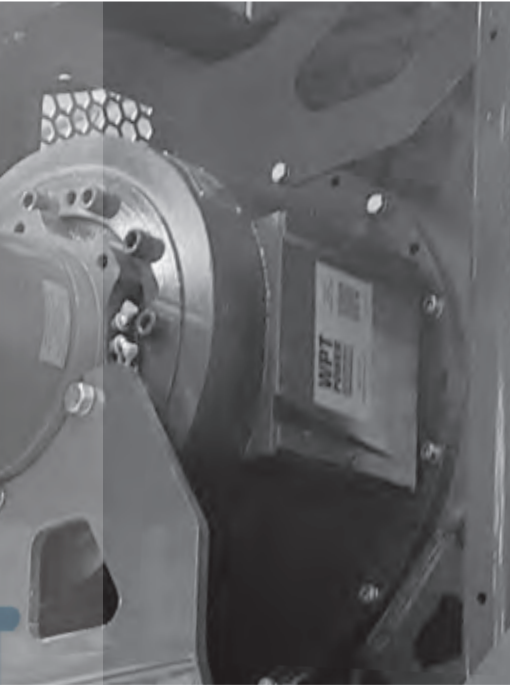
Portable Horizontal Impact Plant

WPT 314 Hydraulic Power Take-Off with patented Python™ Hydraulic Clutch Control System.



Global resource network

Our extensive network of knowledgeable distributors ensures that your product needs will be met quickly and with minimum downtime – when and wherever you are, worldwide.



Distributed by:

ARTEN FREIOS & EMBREAGENS LTDA
FONE: 11 5594-8333
www.arten.com.br
arten@arten.com.br

WPT Power Corporation
1600 Fisher Road
Wichita Falls, Texas 76305
U.S.A.

P.O. Box 8148
Wichita Falls, Texas 76307

WPTpower.com