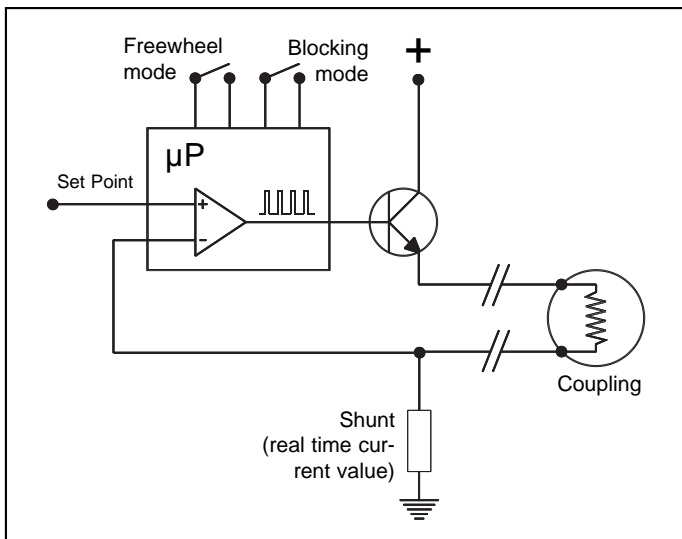
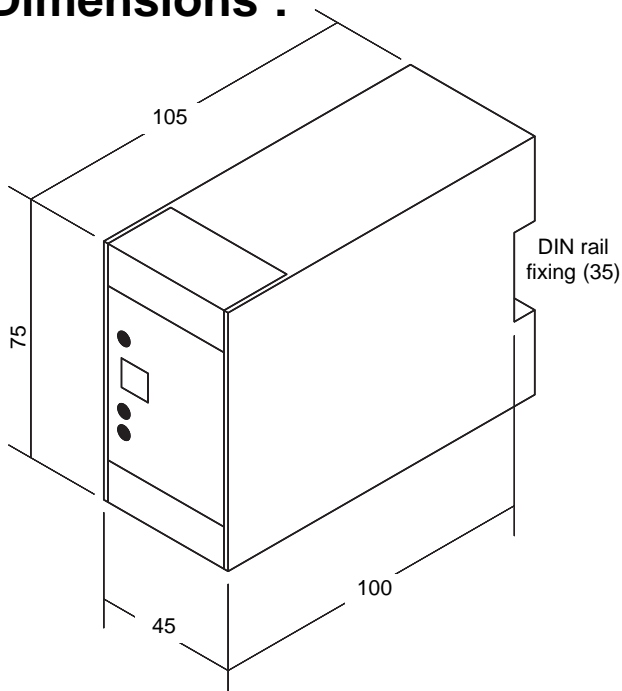


**Technical features:**

Input voltage	[ V ]	24 AC / DC
Max output current	[ A ]	2
Output load (resistance)	[ ohm ]	4 à 20
Max power consumption	[ VA ]	70
Remote voltage control	[ V ]	0 à 10 DC
Ambient temperature	[ ° C ]	+10 ... +40
Weight	g	170


**Schematic diagram :**

**Benefits :**

- Regulated current power supply based on microcontroller technology:
  - ➔ Accurate current output control
  - ➔ High level of protection against transients (short-circuit & circuit opening)
  - ➔ Working modes easy management
- Remote control via potentiometer or analog voltage 0 to 10 V
- Freewheel and Blocking modes managed from external contacts or analog voltages
- Selected mode status shown by front face Leds
- Real time Current equivalent voltage output available
- Plug-in connectors
- Compact enclosure with integrated DIN rail fixing system
- CE - CEM compatible

**Dimensions :**


## Electrical wirings :

### Connections

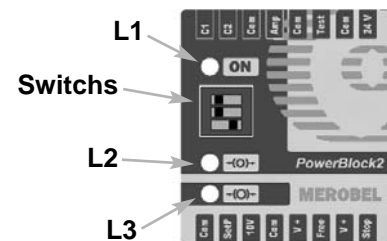
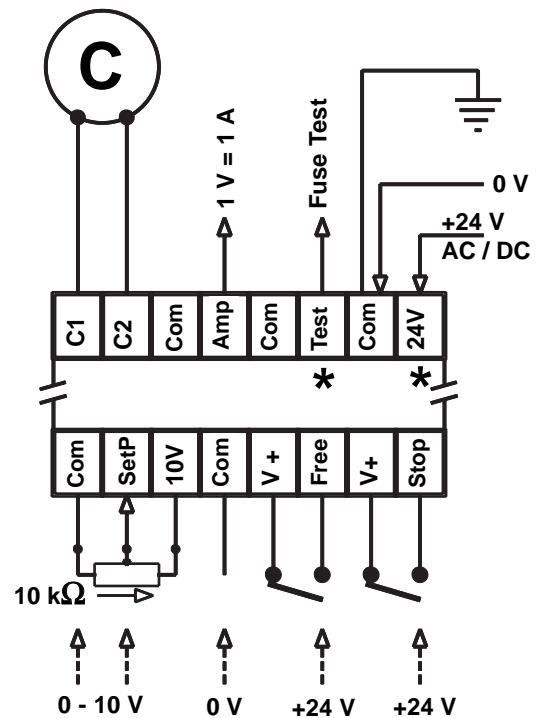
C1 / C2	Coupling supply (C)
Com	0 V
Amp	Real time current equivalent voltage (1.00 A → 1.00 V)
Test	Internal fuse test points (when OFF, measure of 10 kΩ between the two 2 points (*) means that the fuse is OK)
0 V	Equipotential supply point (when earthing the transformer secondary)
24 V	Supply : 24 V AC ou 24 V DC
SetP	Set point input (0 → 10 V DC)
10V	Set point potentiometer supply (10 kΩ)
V+	Logic inputs voltage remote control
Free	Logic input "Freewheel" mode
Stop	Logic input "Blocking" mode

### Front face Leds

L1	Power ON
L2	Freewheel mode active
L3	Blocking mode active

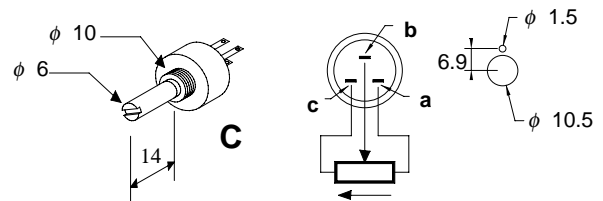
### Switches

S1 S2 S3	Max current level adjustment (from 0.25 to 2.00 A, for set point input = 10 V)
----------	---



## Options :

Accessories	Reference
Potentiometer 10K	ME323054-01



## Note :

- The equipotential point is available on terminal "Com" of the supply terminals
- When earthing the secondary of the transformer, please use the opposite sketch

