



EMP Brakes OS

How does it work

Digital controllers

EMP Brakes TS

Power supply

EMP Clutches

Load cells

EMP Brakes OS

torque sensors

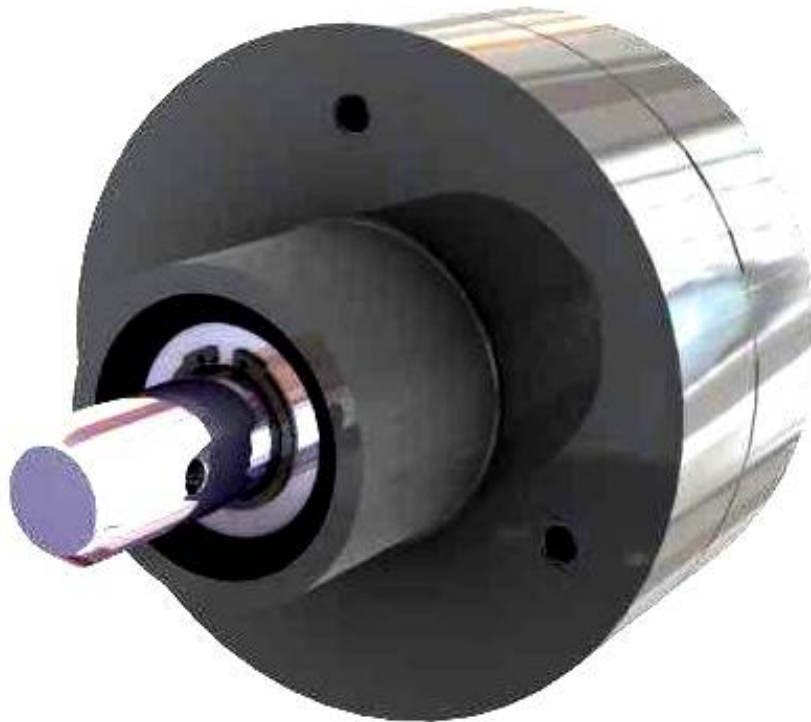
brushless clutches

other sensors

Compact and very easy to use for applying a variable torque to a rotational system, such as a bobbin directly fixed to the shaft, or a small motorized device to be loaded during a test. MEROBEL's EMP-PT series are mostly dedicated to industrial applications such as wire and cable tension control systems, narrow ribbon unwinding processes, small devices automatic test rigs, and more...



| Torque [Nm] | Size | Rated Power [W] | |
|-------------|------|-----------------|------|
| | | FAS | FRAS |
| 0.2 | 2 | 15 | 25 |
| 2 | 21 | 35 | 60 |
| 5 | 50 | 50 | 85 |



Distribuidor Autorizado e Importador

Arten Freios e Embreagens Ltda

Fone: (11) 5594-8333 • Fax (11) 5589-2422

E-mail: arten@arten.com.br • Site: www.arten.com.br