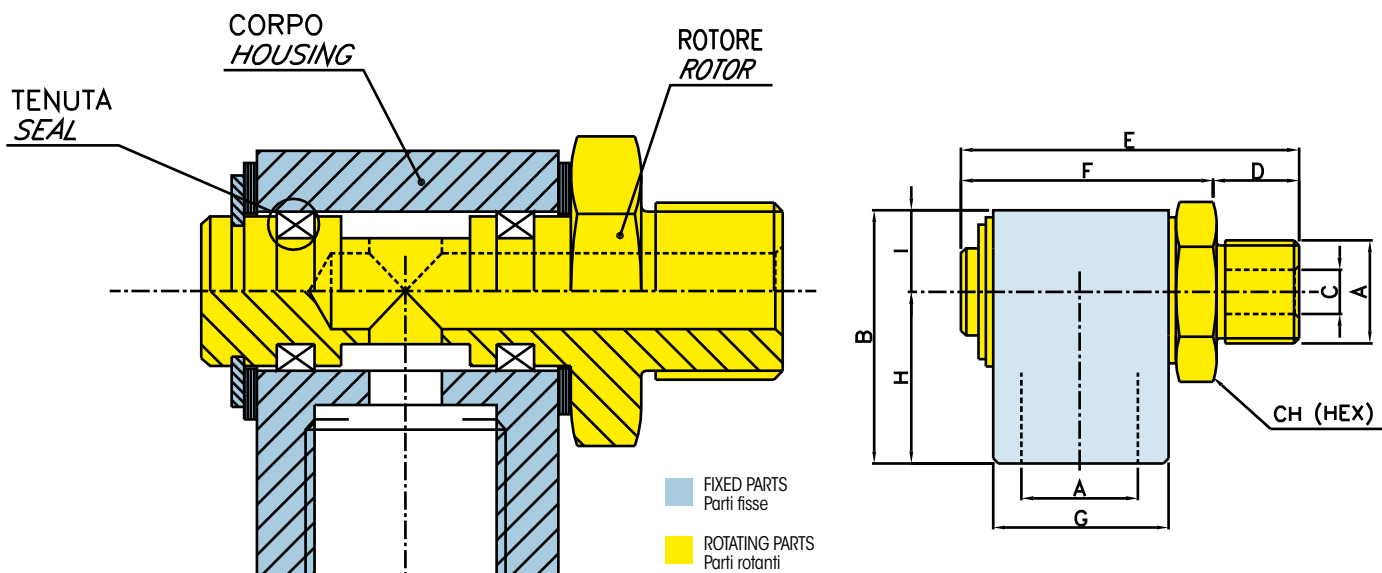


ROTATING SWIVEL LUBRICATION // VERY LOW SPEED

Snodo girevole per lubrificazione // Velocità molto basse



MAX OIL PRESS	<i>pressione max olio</i>	12 bar
MAX AIR PRESS	<i>pressione max aria</i>	10 bar
MAX TEMPERATURE	<i>temperatura max</i>	60 °C

Main features

- 1) Sizes from 1/8" to 1"
- 2) Niployed steel rotor
- 3) BSP/NPT or metric thread
- 4) Brass housing

Caratteristiche principali

- 1) Grandezze da 1/8" a 1"
- 2) Rotore in acciaio nichelato
- 3) Filettature GAS/BSP o metriche
- 4) Corpo in ottone

For left thread, the third letter of code change replacing "D" with "S"
Per filettature sinistre, la terza lettera del codice varia sostituendo "D" con "S"

CODE Codice	A	B	C	D	E	F	G	H	I	CH.
RRD012-GB6GS	1/8" BSP	29 1,141	3 0,128	7,5 0,295	33 1,300	25,5 1,003	15 0,590	21 0,826	8 0,314	14
RRD025-GB6GS	1/4" BSP	31 1,220	5 0,196	12 0,472	43 1,692	31 1,220	20 0,747	21 0,826	10 0,393	19
RRD037-GB6GS	3/8" BSP	40 1,574	7 0,275	13 0,511	54 2,125	41 1,614	28 1,102	27 1,063	13 0,511	24
RRD050-GB6GS	1/2" BSP	46 1,811	11 0,433	16 0,629	60 2,362	44 1,732	30 1,181	31 1,220	15 0,590	30
RRD075-GB6GS	3/4" BSP	58 2,283	18 0,708	20 0,787	72 2,834	52 2,047	35 1,377	39,5 1,555	18,5 0,728	32
RRD100-GB6GS	1" BSP	68 2,677	23 0,905	23 0,905	86 3,385	63 2,480	42 1,653	46 1,811	22 0,866	38
RRD081-GB6GS	M8X1	29 1,141	3 0,128	7,5 0,295	33 1,300	25,5 1,003	15 0,590	21 0,826	8 0,314	14
RRD101-GB6GS	M10X1	29 1,141	3 0,128	7,5 0,295	33 1,300	25,5 1,003	15 0,590	21 0,826	8 0,314	14