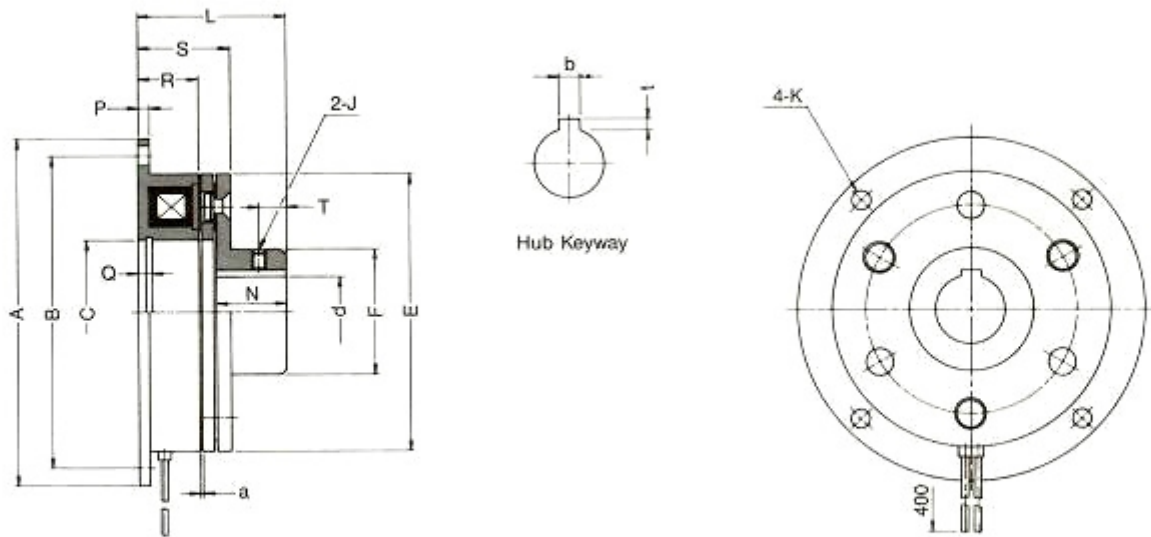


Model **FBH** Flange-mounted brake Hub-mounted armature outer boss

Arten Freios & Embreagens Ltda - Fone: (11) 5594-8333



Dimensions in mm.

SIZE		0.6		1.2		2.5		5		10		20	
Static Torque	kgm	0.55		1.1		2.2		4.5		9		17.5	
Exciting Voltage	DC-V	24		24		24		24		24		24	
Capacity (at 20°C)	W	11		15		20		25		35		45	
Max. Revolution	RPM	5000		5000		4500		4000		3000		2500	
Bore (Hub)	Dia d ^{H7}	12	15	15	20	20	25	25	30	30	40	40	50
	Keyway b x t	4x15	5x2	5x2	5x2	5x2	7x3	7x3	7x3	7x3	10x35	10x35	12x35
Diameter	A ^{H8}	80		100		125		150		190		230	
	B	72		90		112		137		175		215	
	C ^{H7}	35		42		52		62		80		100	
	E	63		80		100		125		160		200	
	F	26		31		42		50		65		85	
	J	M4		M5		M5		M6		M6		M8	
	K	5		6		7		7		10		10	
Length	L	37		44.5		53		61		73		86.5	
	N	15		20		25		30		38		45	
	P	2		2.5		3		3.5		4		5	
	Q	35		43		5		5.5		6		7	
	R	18		20		22		24		26		30	
	S	25.5		28.5		33		37		42		50.5	
	T	6		8		10		12		15		18	
Air Gap	a	0.2		0.2		0.2		0.3		0.3		0.4	
Weight	kg	0.5		0.8		1.4		2.4		4.8		9.5	