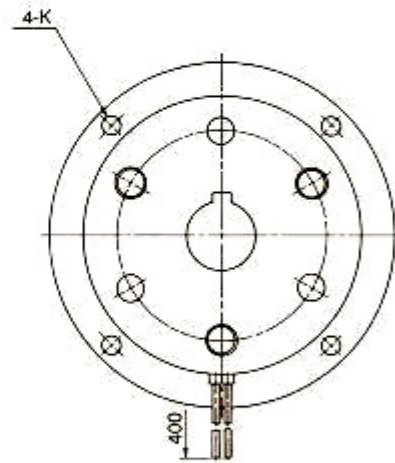
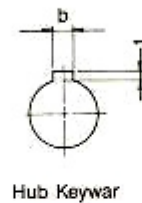
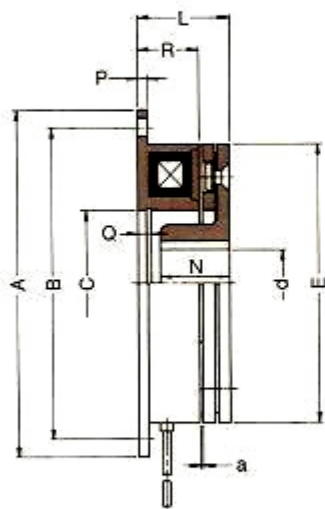


# Model **FBN** Flange-mounted brake Hub-mounted armature inner boss

Arten Freios & Embreagens Ltda - Fone: (11) 5594-8333



Dimensions in mm.

SIZE		0.6		1.2		2.5		5		10		20		
Static Torque	kgm	0.55		1.1		2.2		4.5		9		17		
Exciting Voltage	DC-V	24		24		24		24		24		24		
Capacity (at 20°C)	W	11		15		20		25		35		45		
Max. Revolution	RPM	5000		5000		4500		4000		3000		2500		
Bore (Hub)	Dia	dH7	12	15	15	20	20	25	25	30	30	40	40	50
	Keyway	bxt	4x1.5	5x2	5x2	5x2	5x2	7x3	7x3	7x3	7x3	10x3.5	10x3.5	12x3.5
Diameter	Ah8		80		100		125		150		190		230	
	B		72		90		112		137		175		215	
	CH7		35		42		52		62		80		100	
	E		63		80		100		125		160		200	
	K		5		6		7		7		10		10	
Length	L		25.5		28.5		33		37		42		50.5	
	N		15		20		25		30		38		45	
	P		2		2.5		3		3.5		4		5	
	Q		3.5		4.3		5		5.5		6		7	
	R		18		20		22		24		26		30	
Air Gap	a		0.2		0.2		0.2		0.3		0.3		0.4	
Weight	kg		0.5		0.8		1.4		2.4		4.8		9.5	