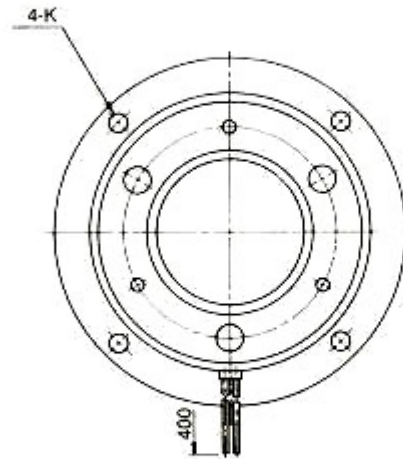
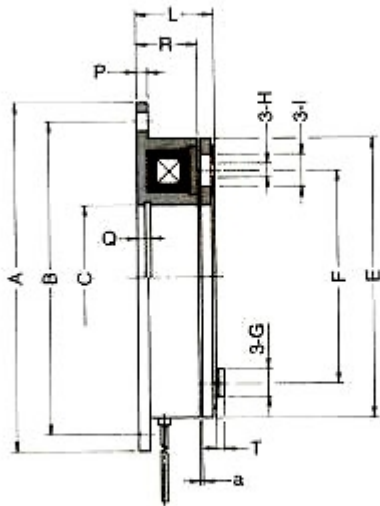


# Model **FBD** Flange-mounted brake Direct-mounted armature

Arten Freios & Embreagens Ltda - Fone: (11) 5594-8333



Dimensions in mm.

SIZE		0.6	1.2	2.5	5	10	20
Static Torque	kgm	0.55	1.1	2.2	4.5	9	17
Exciting Voltage	DC-V	24	24	24	24	24	24
Capacity (at 20°C)	W	11	15	20	25	35	45
Max. Revolution	RPM	5000	5000	4500	4000	3000	2500
Diameter	A <sub>h8</sub>	80	100	125	150	190	230
	B	72	90	112	137	175	215
	C <sub>h8</sub>	35	42	52	62	80	100
	E	63	80	100	125	160	200
	F	46	60	76	95	120	158
	G	6	8	10	12	14	16
	H	3.1	4.1	5.1	6.1	8.1	10.2
	I	8	10	12	15	17	19
Length	K	5	6	7	7	10	10
	L	22	24.5	28	31	35	41.5
	P	2	2.5	3	3.5	4	5
	Q	2.5	4.3	5	5.5	6	7
	R	18	20	22	24	26	30
Air Gap	T	2	2	2.5	3	3	4
	a	0.2	0.2	0.2	0.3	0.3	0.4
Weight	kg	0.4	0.6	1.0	1.8	3.5	6.5