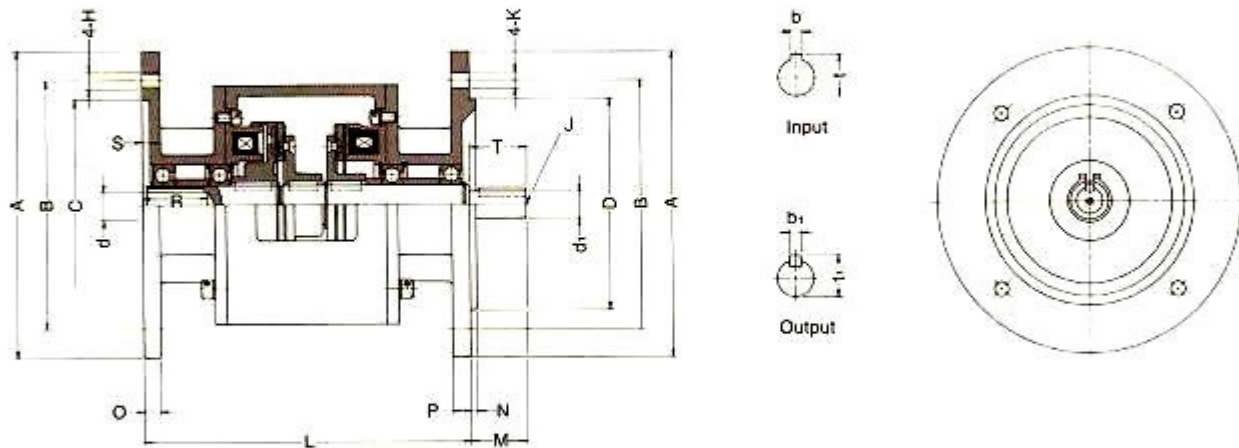


Model **TMP** Clutch/brake module, double-flange-mounted, split-shaft

Arten Freios & Embreagens Ltda - Fone: (11) 5594-8333 - Fax (11) 5589-2422 - www.arten.com.br



Dimensions in mm.

SIZE		0.6	1.2	2.5	5	10	20
Static Torque	kgm	0.55	1.1	2.2	4.5	9	17
Exciting Voltage	DC-V	24	24	24	24	24	24
Capacity (at 20°C)	W	11	15	20	25	35	45
Input Bore	Dia. d_{G7}	11	14	19	24	28	38
	Keyway $b \times t$	4x12.5	5x16	6x21.5	8x27	8x31	10x 41.5
Output Shaft	Dia. d_{16}	11	14	19	24	28	38
	Keyway $b_1 \times t_1$	4x12.5	5x16	6x21.5	8x27	8x31	10x 41.5
Diameter	A	140	160	200	200	250	300
	B	115	130	165	165	215	265
	CH7	95	110	130	130	180	230
	Dh7	95	110	130	130	180	230
	H	M8	M8	M10	M10	M12	M12
	J	M4	M4	M6	M6	M6	M10
	K	10	10	12	12	14	14
Length	L	137	165	203	246	270	456
	M	25	30	40	50	60	80
	N	3.5	3.5	3.5	3.5	4	4
	O	10	10	12	12	16	16
	P	8	8	10	10	12	12
	R	27	32	42	52	62	82
	S	5	5	5	5	6	6
	T	25	30	40	50	60	80
Weight	kg	2.8	5.6	9.5	16.8	29.5	53.5