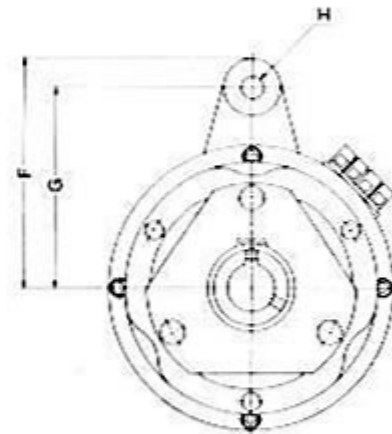
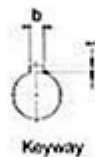
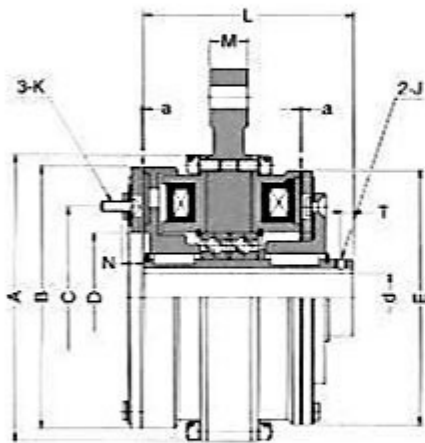


Model **SMP** Clutch/brake, shaft-mounted

Arten Freios & Embreagens Ltda - Fone: (11) 5594-8333 - Fax (11) 5589-2422 - www.arten.com.br



Dimensions in mm.

SIZE		2.5	5	10	20
Static Torque	kgm	2.2	4.5	9	17
Exciting Voltage	DC-V	24	24	24	24
Capacity (at 20°C)	W	20	25	35	45
Max. Revolution	RPM	5000	4000	3000	3000
Bore Shaft	Dia d ⁺⁷	20	25	35	40
	Keyway bxt	5x2	7x3	10x3.5	10x3.5
Diameter	A	125	150	190	230
	B	106	133	169	212
	C	76	95	120	158
	D	54	67	89	108
	E	108	133	168	208
	F	105	120	153	180
	G	90	105	135	160
	H	10	12	15	18
	J	M5	M6	M8	M8
	K	M5	M6	M8	M10
Length	L	97	110	125	145
	M	17	20	22	24
	N	85	10.5	13	16.5
	T	6	6	9	10
Air Gap	a	0.2	0.3	0.3	0.4
Weight	kg	3.8	4.7	10.2	18.5