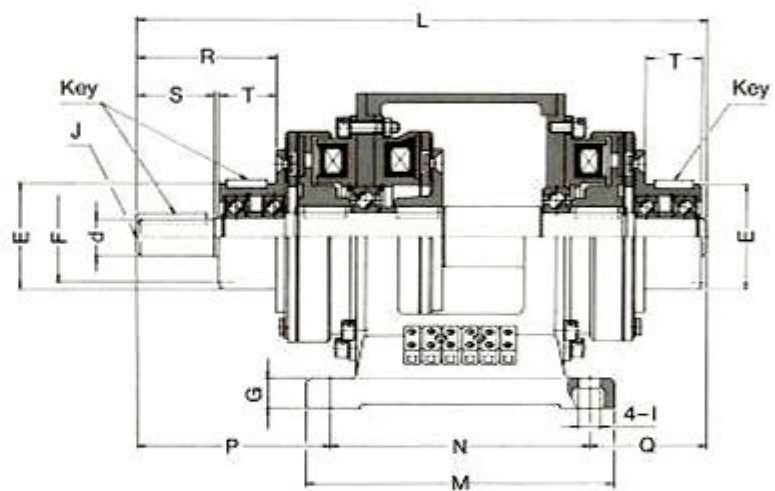
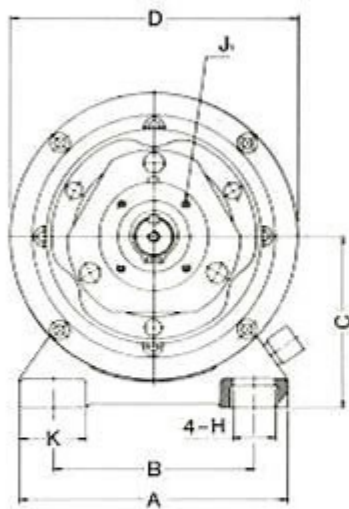


# Model **FMX** Double clutch/brake module, foot-mounted, through-shaft

Arten Freios & Embreagens Ltda - Fone: (11) 5594-8333 - Fax (11) 5589-2422 - [www.arten.com.br](http://www.arten.com.br)



Dimensions in mm.

SIZE		0.6	1.2	2.5	5	10	20
Static Torque	kgm	0.55	1.1	2.2	4.5	9	17
Exciting Voltage	DC-V	24	24	24	24	24	24
Capacity (at 20°C)	W	11	15	20	25	35	45
Max. Revolution	RPM	5000	5000	4500	4000	3000	2500
Shaft Dia.	d <sub>6</sub>	11	14	19	24	28	38
Key (Shaft, Hub)	WidthxHeight	4x4	5x5	5x5	7x7	7x7	10x8
Diameter	A	90	110	140	175	200	240
	B	60	80	105	135	155	195
	C <sup>+0</sup> <sub>-0.5</sub>	65	80	90	112	132	160
	D	100	125	150	190	230	290
	E <sub>6</sub>	38	45	55	64	75	90
	F	33	37	47	52	62	74.5
	G	10	12	15	15	18	20
	H	13.5	15	20	24	28	28
	I	6.5	9	11	11	14	14
	J	M4	M4	M6	M6	M6	M10
J <sub>1</sub>	3-M4	3-M4	4-M4	4-M4	6-M5	4-M6	
K	27.5	32	35	42	45	47	
Length	L	211	246	294	358	440	551
	M	105	130	160	185	230	270
	N	90	110	135	160	200	240
	P	73	83	99.5	124	150	197
	Q	48	53	59.5	74	90	114
	R	47	57	72	93	114	143
	S	25	30	40	50	60	80
T	20	25	30	40	50	60	
Weight	kg	4.2	6.5	9.8	18	30.5	60