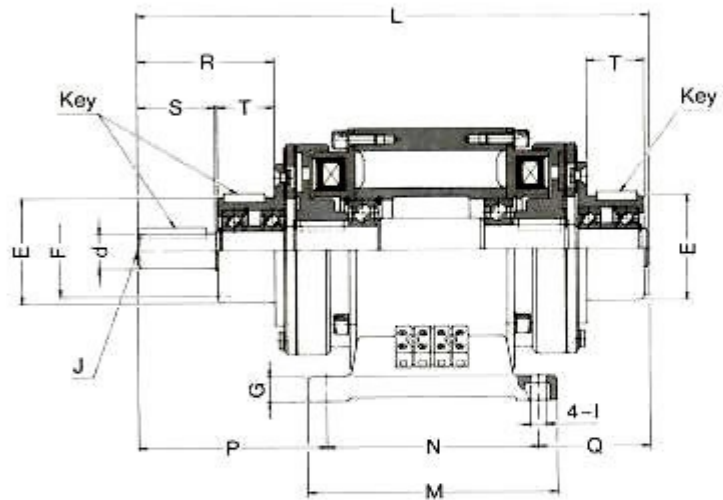
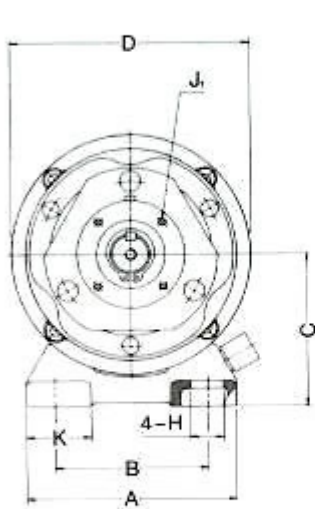


Model **FMT** Double clutch module, foot-mounted, through-shaft

Arten Freios & Embreagens Ltda - Fone: (11) 5594-8333 - Fax (11) 5589-2422 - www.arten.com.br



Dimensions in mm.

SIZE		0.6	1.2	2.5	5	10	20
Static Torque	kgm	0.55	1.1	2.2	4.5	9	17
Exciting Voltage	DC-V	24	24	24	24	24	24
Capacity (at 20°C)	W	11	15	20	25	35	45
Max. Revolution	RPM	5000	5000	4500	4000	3000	2500
Shaft Dia	d ₆	11	14	19	24	28	38
Key (Shaft, Hub)	WidthxHeight	4x4	5x5	5x5	7x7	7x7	10x8
Diameter	A	80	90	110	140	175	200
	B	55	65	80	105	135	155
	C ⁺⁰ _{-0.5}	55	65	80	90	112	132
	D	80	100	125	150	190	230
	E ₆	38	45	55	64	75	90
	F	33	37	47	52	62	74.5
	G	10	10	12	15	15	18
	H	13.5	15	20	24	28	28
	I	6.5	6.5	9	11	11	14
	J	M4	M4	M6	M6	M6	M10
	J ₁	3-M4	3-M4	4-M4	4-M4	6-M5	4-M6
Length	K	27.5	27.5	32	35	42	45
	L	181	217	266	327	397	492
	M	90	105	130	160	185	230
	N	75	90	110	135	160	200
	P	65.5	78.5	98	121	149	187
	Q	40.5	48.5	58	71	88	105
	R	47	57	72	93	113	143
	S	25	30	40	50	60	80
Weight	T	20	25	30	40	50	60
	kg	1.9	3.6	7.2	12.5	22.5	40.5