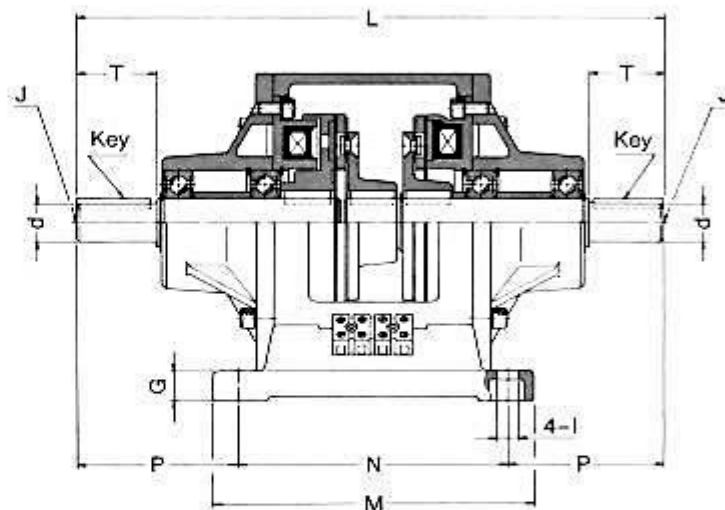
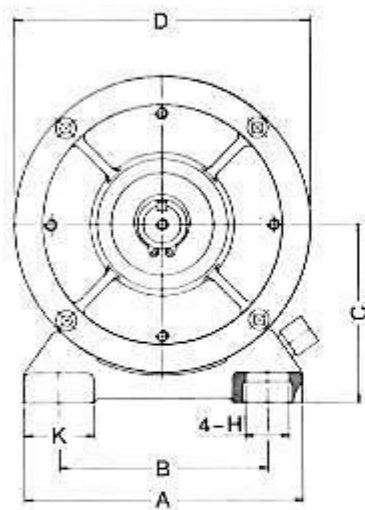


Model **FMP** Clutch/brake module, foot-mounted, split-shaft

Arten Freios & Embreagens Ltda - Fone: (11) 5594-8333 - Fax (11) 5589-2422 - www.arten.com.br



Dimensions in mm.

SIZE		0.6	1.2	2.5	5	10	20
Static Torque	kgm	0.55	1.1	2.2	4.5	9	17
Exciting Voltage	DC-V	24	24	24	24	24	24
Capacity (at 20°C)	W	11	15	20	25	35	45
Max. Revolution	RPM	5000	5000	4500	4000	3000	2500
Shaft Dia	d ⁶	11	14	19	24	28	38
Key (Shaft)	WidthxHeight	4x4	5x5	5x5	7x7	7x7	10x8
Diameter	A	90	110	140	175	200	240
	B	65	80	105	135	155	195
	C ^{+0 -0.5}	65	80	90	112	132	160
	D	100	125	150	190	230	290
	G	10	12	15	15	18	20
	H	13.5	15	20	24	28	28
	I	6.5	9	11	11	14	14
	J	M4	M4	M6	M6	M6	M10
Length	K	27.5	32	35	42	45	47
	L	195	236	295	376	490	616
	M	105	130	160	185	230	270
	N	90	110	135	160	200	240
	P	52.5	63	80	108	145	188
T	25	30	40	50	60	80	
Weight	kg	2.3	4.7	7.6	14.6	25.5	48