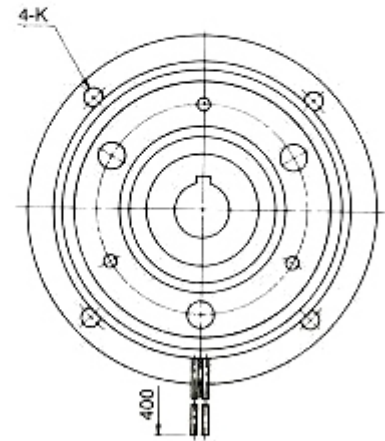
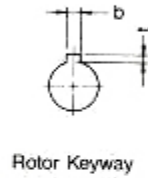
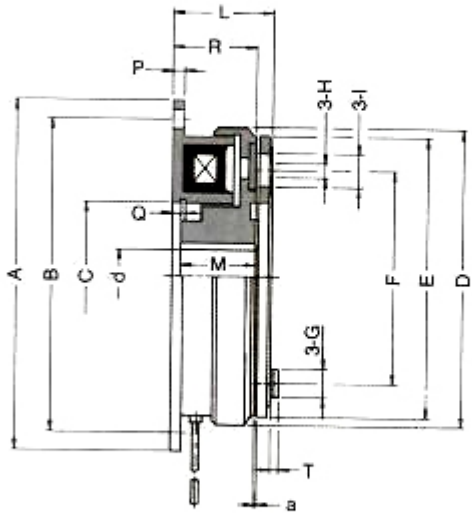


# Model **FCD** Flange-mounted clutch Direct-mounted armature

Arten Freios & Embreagens Ltda - Fone: (11) 5594-8333



Dimensions in mm.

SIZE		0.6		1.2		2.5		5		10		20			
Static Torque	kgm	0.55		1.1		2.2		4.5		9		17			
Exciting Voltage	DC-V	24		24		24		24		24		24			
Capacity (at 20°C)	W	11		15		20		25		35		45			
Max. Revolution	RPM	5000		5000		4500		4000		3000		2500			
Bore (Rotor)	Dia	dH7		12	15	15	20	20	25	25	30	30	40	40	50
	keyway	b x t		4x1.5	5x2	5x2	5x2	5x2	7x3	7x3	7x3	10x3.5	10x3.5	12x3.5	
Diameter	Ah8	80		100		125		150		190		230			
	B	72		90		112		137		175		215			
	CH7	35		42		52		62		80		100			
	D	67		85		106		133		169		212			
	E	63		80		100		125		160		200			
	F	46		60		76		95		120		158			
	G	6		8		10		12		14		16			
	H	3.1		4.1		5.1		6.1		8.1		10.2			
	I	8		10		12		15		17		19			
	K	5		6		7		7		10		10			
Length	L	28		31		36		40.5		46.5		55.5			
	M	22		24		27		30		34		40			
	P	2		2.5		3		3.5		4		5			
	Q	3.5		4.3		5		5.5		6		7			
	R	24		26.5		30		33.5		37.5		44			
	T	2		2.5		3		3.5		4		4.5			
Air Gap	a	0.2		0.2		0.2		0.2		0.3		0.4			
Weight	kg	0.5		0.9		1.8		3.7		6.8		13			