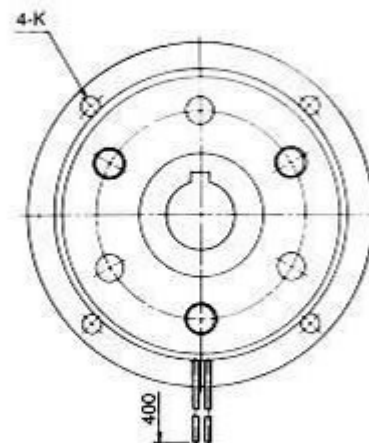
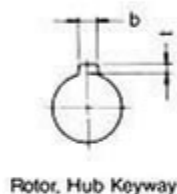
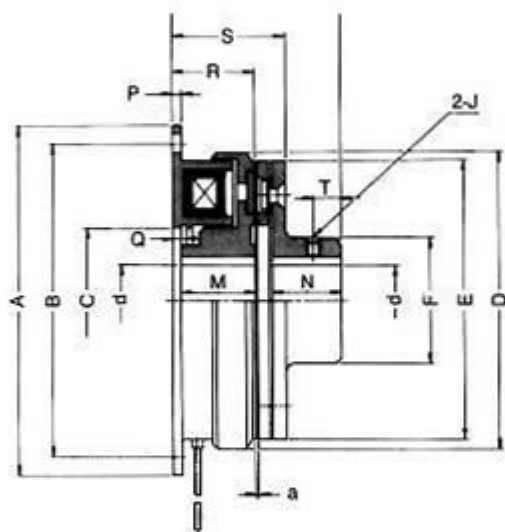


# Model **FCH** Flange-mounted clutch Hub-mounted armature

Arten Freios & Embregens Ltda - Fone: (11) 5594-8333 - Fax (11) 5589-2422 - [www.arten.com.br](http://www.arten.com.br)



Dimensions in mm.

SIZE		0.6		1.2		2.5		5		10		20	
Static Torque	kgm	0.55		1.1		2.2		4.5		9		17	
Exciting Voltage	DC-V	24		24		24		24		24		24	
Capacity (at 20°C)	W	11		15		20		25		35		45	
Max. Revolution	RPM	5000		5000		4500		4000		3000		2500	
Bore (Rotor, Hub)	Dia	12		15		20		25		30		40	
	dh7	12		15		20		25		30		40	
Keyway	b	4x15		5x2		5x2		5x2		7x3		7x3	
	t	4x15		5x2		5x2		5x2		7x3		7x3	
Diameter	A <sub>H8</sub>	80		100		125		150		190		230	
	B	72		90		112		137		175		215	
	C <sub>H7</sub>	35		42		52		62		80		100	
	D	67		85		106		133		169		212	
	E	63		80		100		125		160		200	
	F	26		31		42		50		65		85	
	J	M4		M5		M5		M6		M6		M8	
	K	5		6		7		7		10		10	
Length	L	43		51		61		70.5		84.5		100.5	
	M	22		24		27		30		34		40	
	N	15		20		25		30		38		45	
	P	2		2.5		3		3.5		4		5	
	Q	3.5		4.3		5		5.5		6		7	
	R	24		26.5		30		33.5		37.5		44	
	S	31.5		35		41		46.5		53.5		64.5	
	T	6		8		10		12		15		18	
Air Gap	a	0.2		0.2		0.2		0.3		0.3		0.4	
Weight	kg	0.6		1.1		2		3.5		6.9		13	